

MGE Series Generators

Model

MGE4000ROU

Parts Breakdown

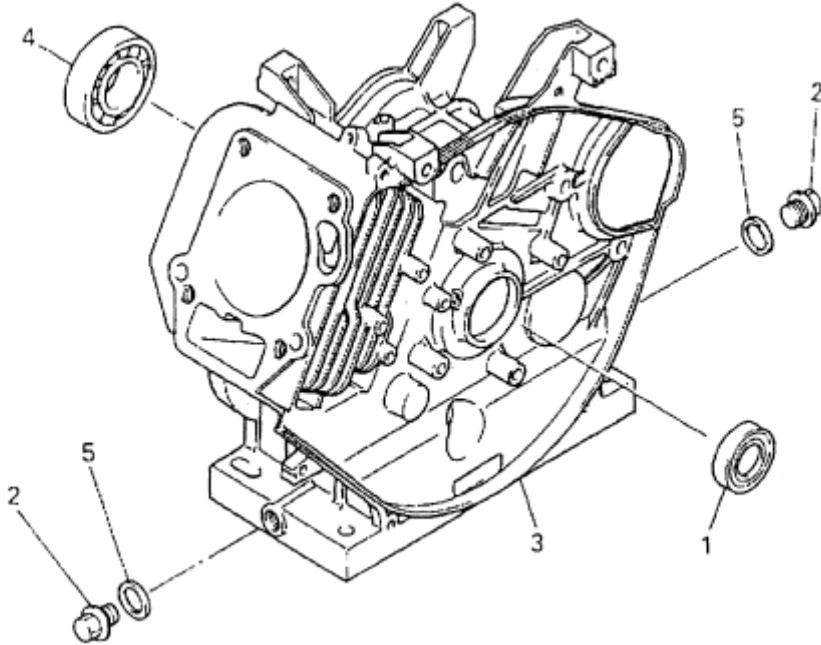
Remarks on Parts Catalog

1. This parts catalog contains all parts for the MITSUBISHI GENERATOR "MGE4000-ROU."
2. The figures in drawings are the index number of the parts.
3. When ordering parts, please clarify the part number and name or engine model name and give to your dealer.
4. Please note that part numbers may be changed periodically without notice.

Table of Contents**Page**

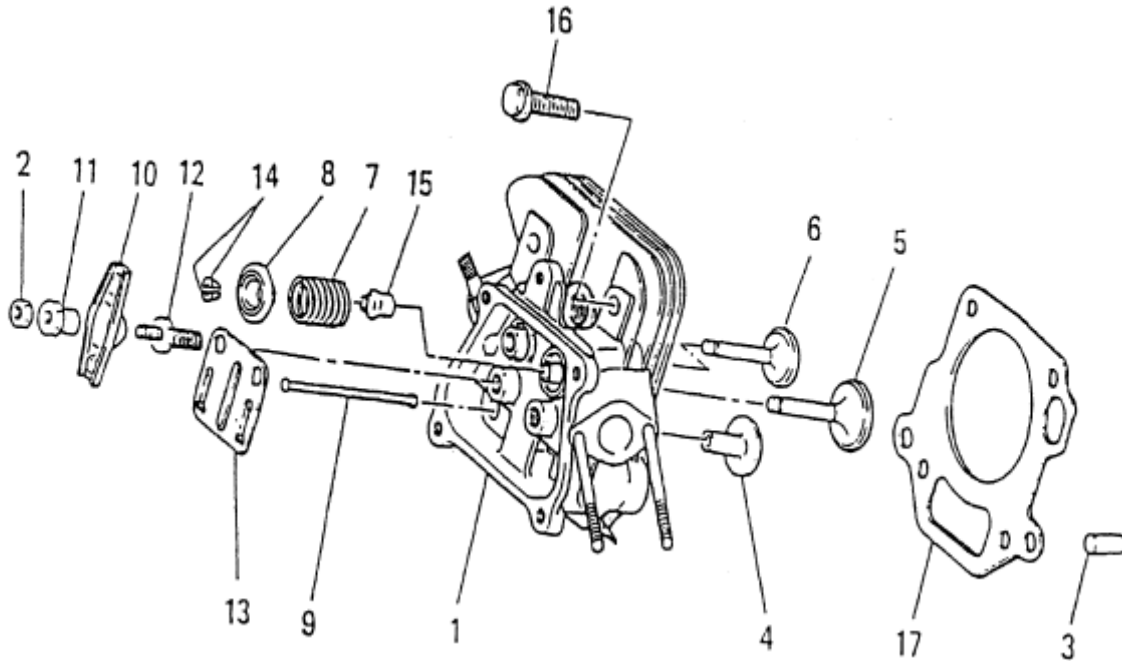
| | |
|----------------------------|------------|
| A. Cylinder Block Group | 4 |
| B. Cylinder Head Group | 5, 6 |
| C. Head Cover Group | 7 |
| D. Case Cover Group | 8 |
| E. Crankshaft Group | 9 |
| F. Piston and Rod Group | 10 |
| G. Magnet Group | 11 |
| H. Air Cleaner Group | 12 |
| I. Carburetor Group | 13, 14, 15 |
| J. Control Panel Group | 16, 17 |
| K. Fan Cover Group | 18 |
| L. Cylinder Cover Group | 19 |
| M. Tank Group | 20 |
| N. Cock Group | 21 |
| R. Recoil Starter Group | 22 |
| W. Oil Sensor Group | 24 |
| 1. Bolt, Clamp Cover, Etc. | 25 |
| 2. Lead Wire, Plug | 26 |
| 3. Label, Fuel Hose | 27 |
| 4. Tool Set, Etc. | 28 |
| 5. Gasket Set | 29 |
| 6. Frame and Tank | 30, 31 |
| 7. Generator | 32, 33 |
| 8. Control Box | 34, 35, 36 |

A. CYLINDER BLOCK GROUP



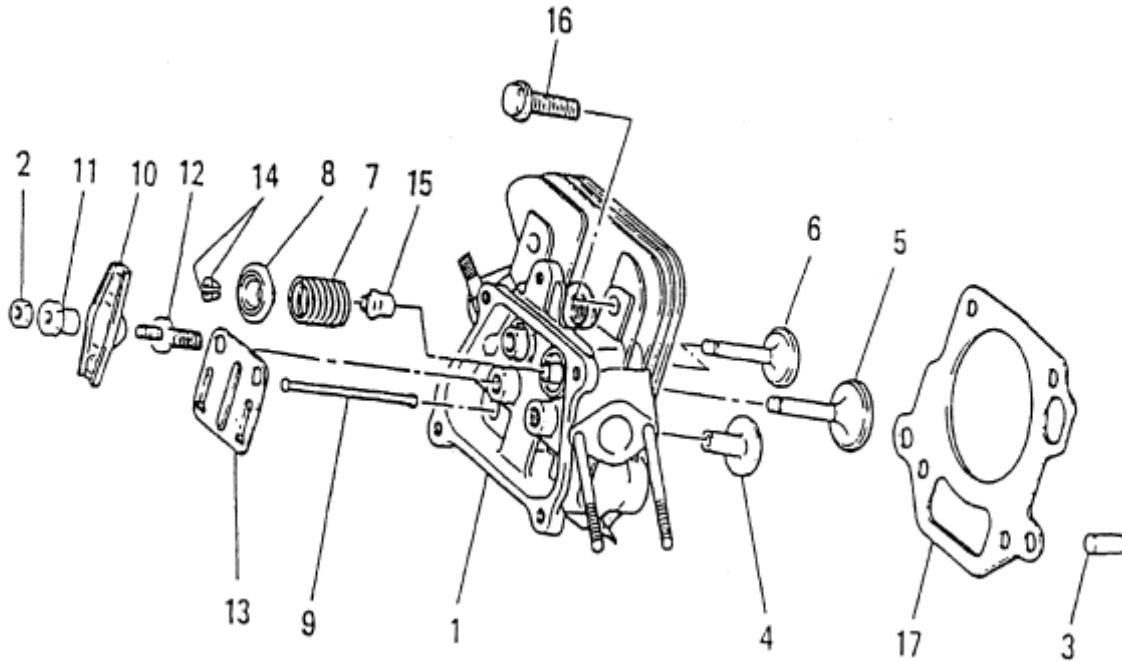
| Number | Part Number | Parts Name | Number Required | Remarks |
|--------|-------------|----------------|-----------------|---------|
| 1 | FA28011 | Oil Seal | 1 | |
| 2 | FN11223 | Plug, Drain | 2 | |
| 3 | KB46007CA | Cylinder Block | 1 | |
| 4 | S111X62X060 | Bearing, Ball | 1 | #6206 |
| 5 | ZZ70013A | Gasket | 2 | |

B. CYLINDER HEAD GROUP



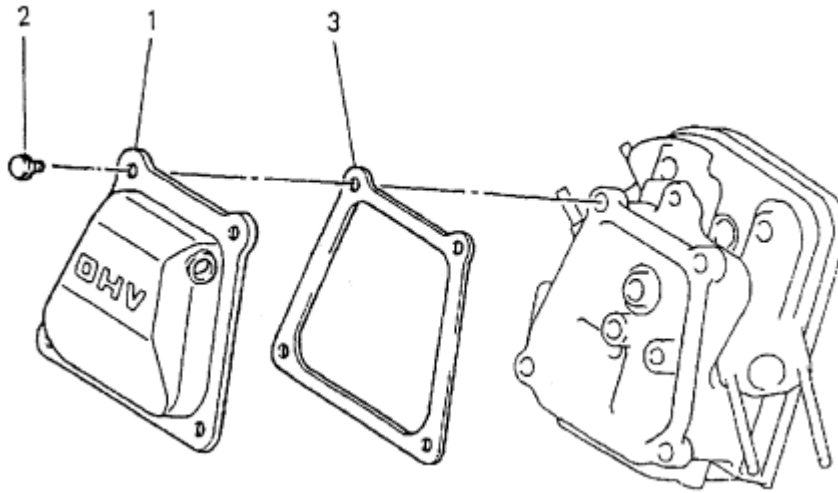
| Number | Part Number | Parts Name | Number Required | Remarks |
|--------|-------------|------------------------|-----------------|------------------|
| 1 | KC02028BA | Cylinder Head Assembly | 1 | With B155B06X085 |
| 2 | KU23009AA | Nut | 2 | |
| 3 | KU44001AA | Pin, Dowel | 2 | |
| 4 | KV24003AA | Tappet | 2 | |
| 5 | KV35002BA | Valve, Intake | 1 | |
| 6 | KV45002AA | Valve, Exhaust | 1 | |
| 7 | KV55006AA | Spring, Valve | 2 | |
| 8 | KV65003AA | Retainer, Valve Spring | 2 | |
| 9 | KV71004AA | Rod, Push | 2 | |
| 10 | KV72003AA | Arm, Rocker | 2 | |
| 11 | KV73002AA | Nut | 2 | |
| 12 | KV74002AA | Bolt | 2 | |

B. CYLINDER HEAD GROUP



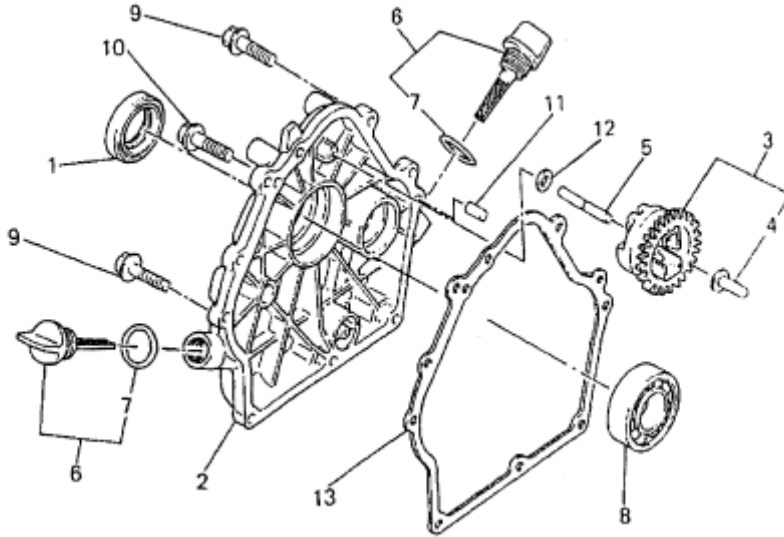
| Number | Part Number | Parts Name | Number Required | Remarks |
|--------|-------------|------------------|-----------------|---------|
| 13 | KV75006AA | Plate | 1 | |
| 14 | KV75007AA | Cotter | 4 | |
| 15 | KW21004AA | Seal, Valve Stem | 1 | |
| 16 | B800B10X065 | Bolt, Flange | 4 | |
| 17 | KC66009AA | Gasket, Head | 1 | |

C. HEAD COVER GROUP



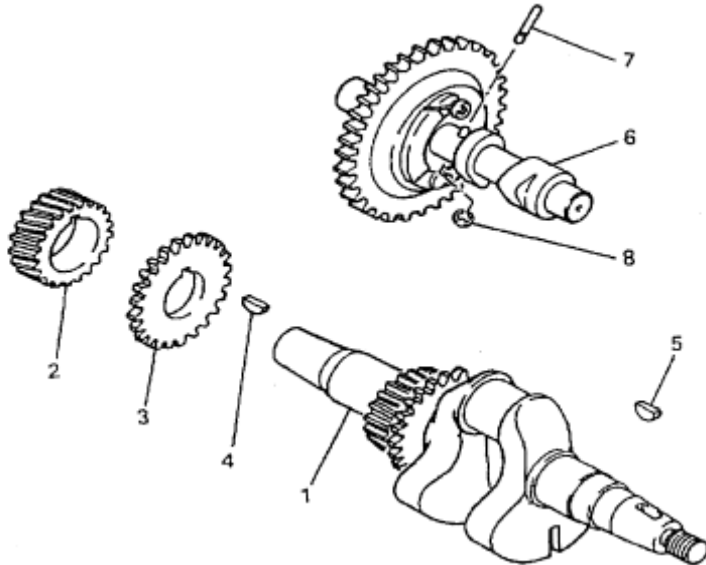
| Number | Part Number | Parts Name | Number Required | Remarks |
|--------|-------------|--------------------|-----------------|---------|
| 1 | KC09002AA | Cover, Head | 1 | |
| 2 | B805B06X012 | Bolt, Flange | 4 | |
| 3 | KW33002AA | Gasket, Head Cover | 1 | |

D. CASE COVER GROUP



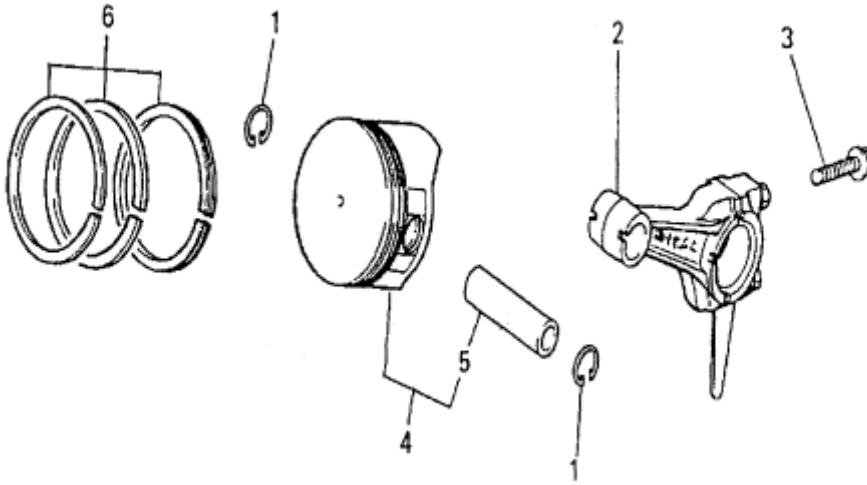
| Number | Part Number | Parts Name | Number Required | Remarks |
|--------|-------------|---------------------|-----------------|-------------|
| 1 | FA29008 | Oil Seal | 1 | |
| 2 | KB66007GA | Cover, Crankcase | 1 | |
| 3 | KG01003CA | Governor Gear Assy. | 1 | Incl. No. 4 |
| 4 | KG14004AA | Slider, Gov | 1 | |
| 5 | KG22004AA | Shaft, Gov | 1 | |
| 6 | KL21005CA | Gauge, Oil | 2 | Incl. No. 7 |
| 7 | S655W21 | O-Ring | 2 | |
| 8 | S111X62X060 | Bearing, Ball | 1 | #6206 |
| 9 | B800B08X030 | Bolt, Flange | 8 | |
| 10 | KU14031AA | Bolt, Flange | 1 | |
| 11 | KU44001AA | Pin, Dowel | 2 | |
| 12 | W200H06 | Washer | 1 | |
| 13 | KU31007AA | Gasket, Crankcase | 1 | |

E. CRANKSHAFT GROUP



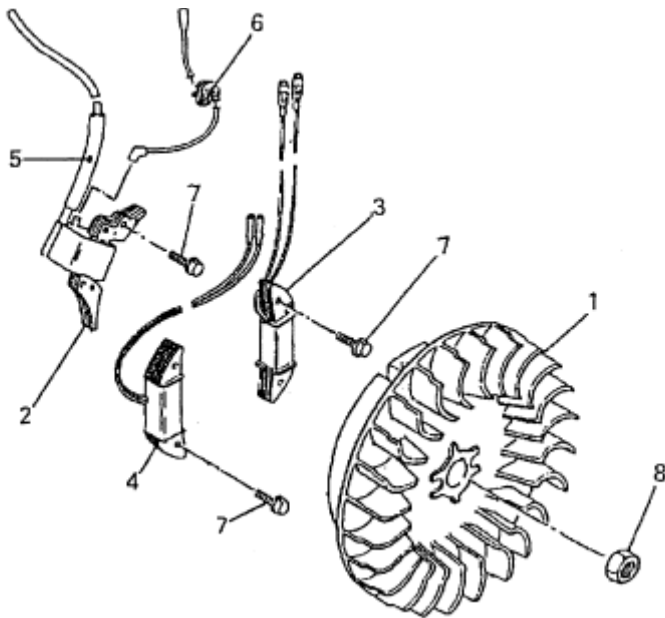
| Number | Part Number | Parts Name | Number Required | Remarks |
|--------|-------------|---------------------|-----------------|----------------|
| 1 | KD02034EA | Crankshaft Assy. | 1 | Incl. No. 2, 4 |
| 2 | KD63021AA | Gear, Crankshaft | 1 | |
| 3 | KD63015AA | Gear, Balancer | 1 | |
| 4 | W430B05X016 | Key, Woodruff | 1 | |
| 5 | W430B05X016 | Key, Woodruff | 1 | |
| 6 | KV01158AA | Camshaft Gear Assy. | 1 | Incl. No. 7, 8 |
| 7 | KV83009FA | Pin | 1 | |
| 8 | S500P03 | Snap Ring | 1 | |

F. PISTON AND ROD GROUP



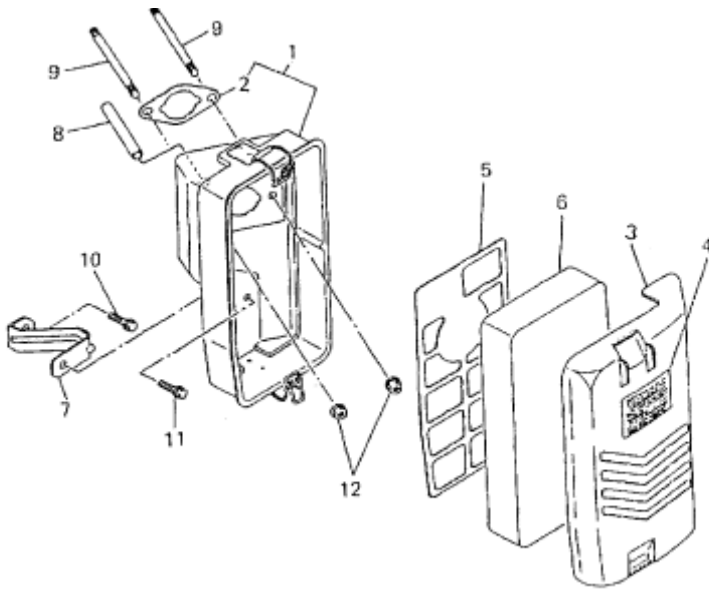
| Number | Part Number | Parts Name | Number Required | Remarks |
|--------|-------------|----------------------|-----------------|---------------------|
| 1 | BG04486 | Clip, Piston Pin | 2 | |
| 2 | KD03016AA | Connecting Rod Assy. | 1 | Std. Incl. No. 3 |
| 2 | KD03016BA | Connecting Rod Assy. | 1 | US 0.25 Incl. No. 3 |
| 2 | KD03016CA | Connecting Rod Assy. | 1 | US 0.50 Incl. No. 3 |
| 3 | KD70001AA | Bolt | 2 | |
| 4 | KP01024AA | Piston Set | 1 | Std. Incl. No. 5 |
| 4 | KP01024BA | Piston Set | 1 | OS 0.25 Incl. No. 5 |
| 4 | KP01024CA | Piston Set | 1 | OS 0.50 Incl. No. 5 |
| 5 | KP57001AA | Pin, Piston | 1 | |
| 6 | KP02010AA | Piston Ring Set | 1 | Std. |
| 6 | KP02010BA | Piston Ring Set | 1 | OS 0.25 |
| 6 | KP02010CA | Piston Ring Set | 1 | OS 0.50 |

G. MAGNET GROUP



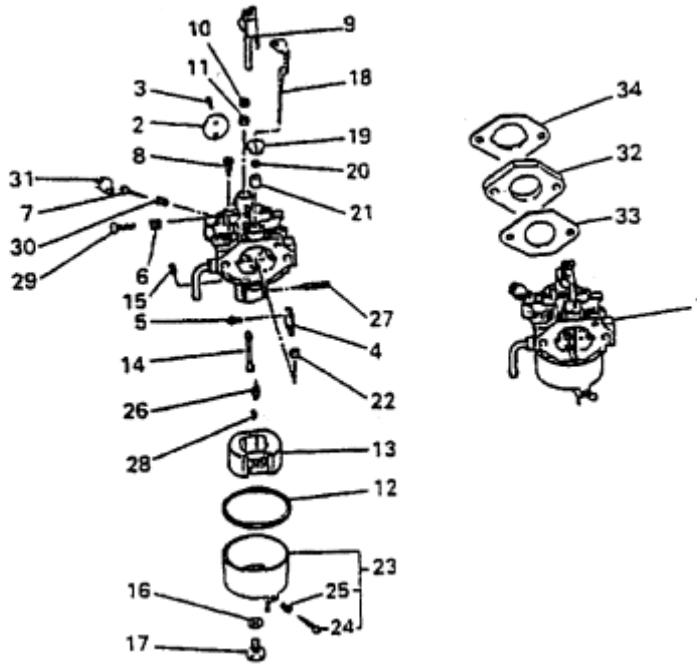
| Number | Part Number | Parts Name | Number Required | Remarks |
|--------|-------------|----------------|-----------------|---------|
| 1 | KE12010CA | Flywheel | 1 | |
| 2 | KE24010BA | Coil, Ignition | 1 | |
| 3 | KE25001BA | Coil, Lighting | 1 | |
| 4 | KE25002AA | Coil, Charge | 1 | |
| 5 | KE90073AA | Tube | 1 | |
| 6 | KU70007AA | Clip | 1 | |
| 7 | B805B06X030 | Bolt, Flange | 6 | |
| 8 | FR41231 | Nut | 1 | |

H. AIR CLEANER GROUP



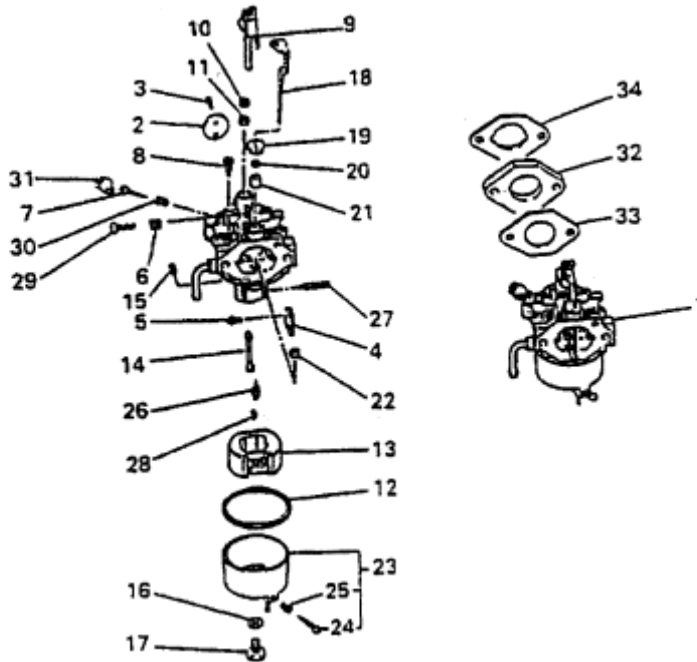
| Number | Part Number | Parts Name | Number Required | Remarks |
|--------|--------------|--------------------|-----------------|-------------|
| 1 | KA11009AA | Case, Cleaner | 1 | Incl. No. 2 |
| 2 | KA11004BA007 | Gasket | 1 | |
| 3 | KA20045AA | Cover, Cleaner | 1 | Incl. No. 4 |
| 4 | FA24115 | Label, Instruction | 1 | |
| 5 | KA30016AA | Grid | 1 | |
| 6 | KA40059AA | Element, Cleaner | 1 | |
| 7 | KA90097AA | Bracket | 1 | |
| 8 | ZZ70002M | Tube, Breather | 1 | |
| 9 | B155B06X085 | Bolt, Stud | 2 | |
| 10 | B800A06X008 | Bolt, Flange | 1 | |
| 11 | B805B06X012 | Bolt, Flange | 1 | |
| 12 | N801A06 | Nut, Flange | 1 | |

I. CARBURETOR GROUP



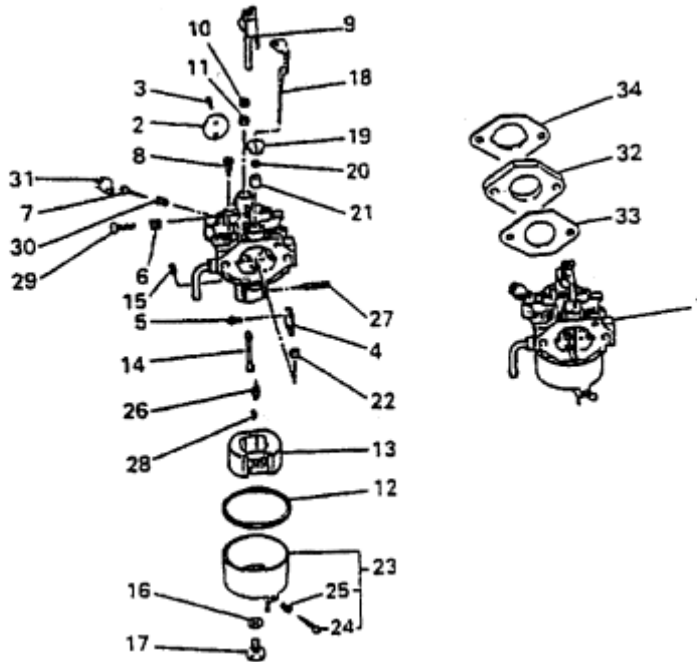
| Number | Part Number | Parts Name | Number Required | Remarks |
|--------|--------------|-----------------|-----------------|----------------|
| 1 | KK15012BB | Carburetor (F) | 1 | Incl. No. 2-31 |
| 2 | KK15011AA002 | Valve, Throttle | 1 | |
| 3 | KK12025AA003 | Screw | 2 | |
| 4 | KK15003AE004 | Valve, Choke | 1 | |
| 5 | KK12025AA005 | Screw | 2 | |
| 6 | FA27080XX003 | Screw | 1 | |
| 7 | KK13014AA007 | Adjuster | 1 | |
| 8 | KK74508BC450 | Jet, Pilot | 1 | |
| 9 | KK15008XY011 | Shaft, Throttle | 1 | |
| 10 | KK12008AE015 | Packing | 1 | |
| 11 | KK12008AE016 | Seal | 1 | |
| 12 | KK15003AE014 | Packing | 1 | |

I. CARBURETOR GROUP



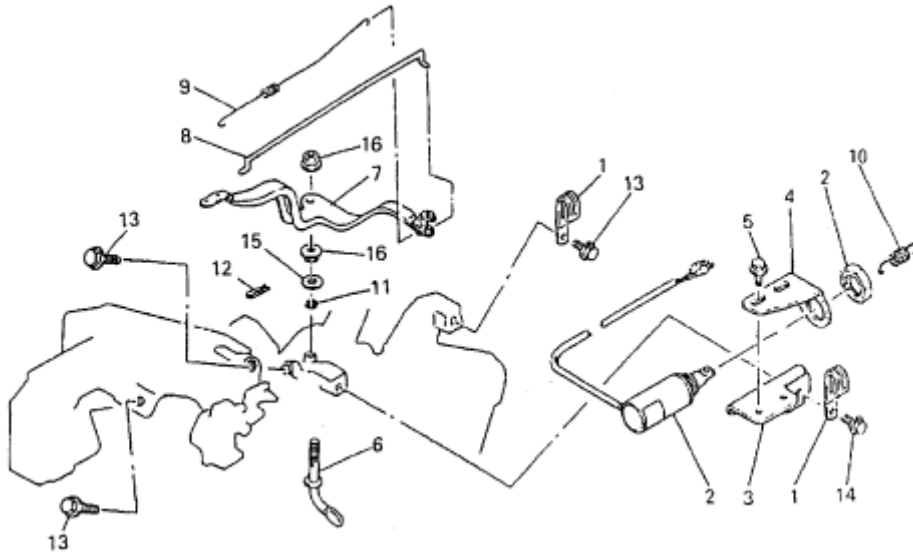
| Number | Part Number | Parts Name | Number Required | Remarks |
|--------|--------------|----------------|-----------------|------------------|
| 13 | KK15003AE015 | Float | 1 | |
| 14 | KK74524BJ003 | Nozzle, Main | 1 | |
| 15 | KK74525CA963 | Jet, Main | 1 | |
| 16 | KK15003AE018 | Packing | 1 | |
| 17 | KK15003AE019 | Bolt | 1 | |
| 18 | KK15012AB020 | Lever, Choke | 1 | |
| 19 | KK12008AE018 | Ring | 1 | |
| 20 | KK12008AE019 | Seal | 1 | |
| 21 | KK12008AE020 | Ring | 1 | |
| 22 | KK15003AE024 | Ring | 1 | |
| 23 | KK15005DA025 | Chamber, Float | 1 | Incl. No. 24, 25 |
| 24 | KK15001AA018 | Screw | 1 | |

I. CARBURETOR GROUP



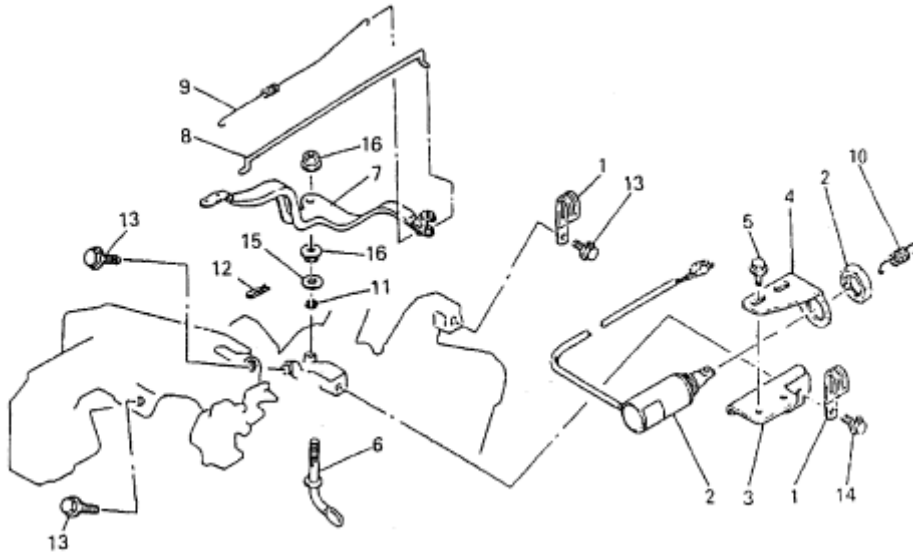
| Number | Part Number | Parts Name | Number Required | Remarks |
|--------|--------------|--------------------|-----------------|---------|
| 25 | FA27080XX003 | Spring | 1 | |
| 26 | KK15003AE026 | Valve, Needle | 1 | |
| 27 | KK15003AE027 | Pin | 1 | |
| 28 | KK12008AE011 | Clip | 1 | |
| 29 | KK12008AE009 | Screw | 1 | |
| 30 | KK15012BB030 | Spring | 1 | |
| 31 | KK13014AA030 | Cap | 1 | |
| 32 | KK33007AA | Insulator | 1 | |
| 33 | KW34001AA | Gasket, Carburetor | 1 | |
| 34 | KW34005AA | Gasket, Carburetor | 1 | |

J. CONTROL PANEL GROUP



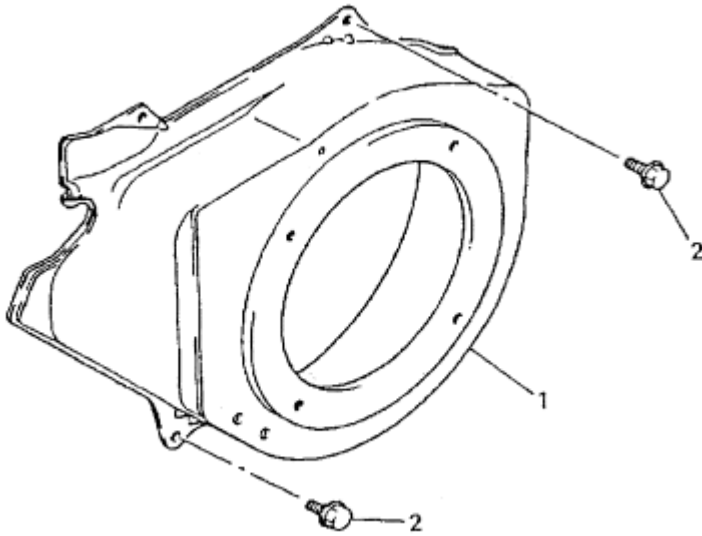
| Number | Part Number | Parts Name | Number Required | Remarks |
|--------|-------------|--------------|-----------------|---------|
| 1 | FR64917A | Clamp | 2 | |
| 2 | KE09025CA | Solenoid | 1 | |
| 3 | KE90166AA | Plate | 1 | |
| 4 | KE90167BA | Plate | 1 | |
| 5 | B800A06X012 | Bolt, Flange | 2 | |
| 6 | KG22006AA | Shaft, Gov | 1 | |
| 7 | KG31014BA | Lever, Gov | 1 | |
| 8 | KG41015AA | Rod, Gov | 1 | |
| 9 | KG42011AA | Spring, Rod | 1 | |
| 10 | KG42015BA | Spring | 1 | |
| 11 | KG90016AA | Seal, Dust | 1 | |
| 12 | KU70006AA | Clip | 1 | |

J. CONTROL PANEL GROUP



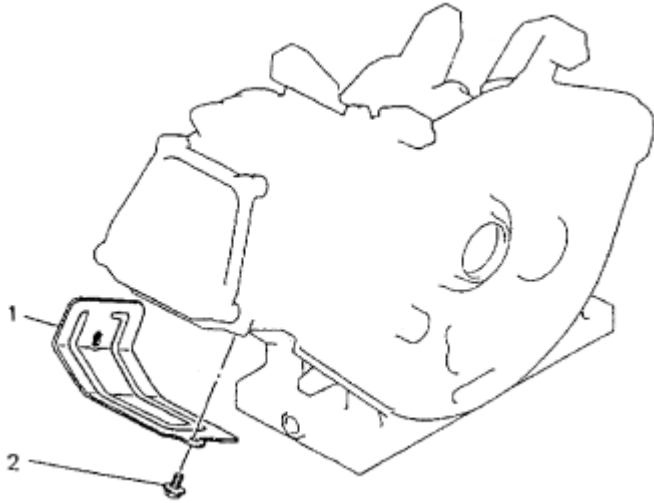
| Number | Part Number | Parts Name | Number Required | Remarks |
|--------|-------------|--------------|-----------------|---------|
| 13 | B805B06X012 | Bolt, Flange | 3 | |
| 14 | B805B06X016 | Bolt, Flange | 1 | |
| 15 | KG90015AA | Washer | 1 | |
| 16 | KU24002AA | Nut | 2 | |

K. FAN COVER GROUP



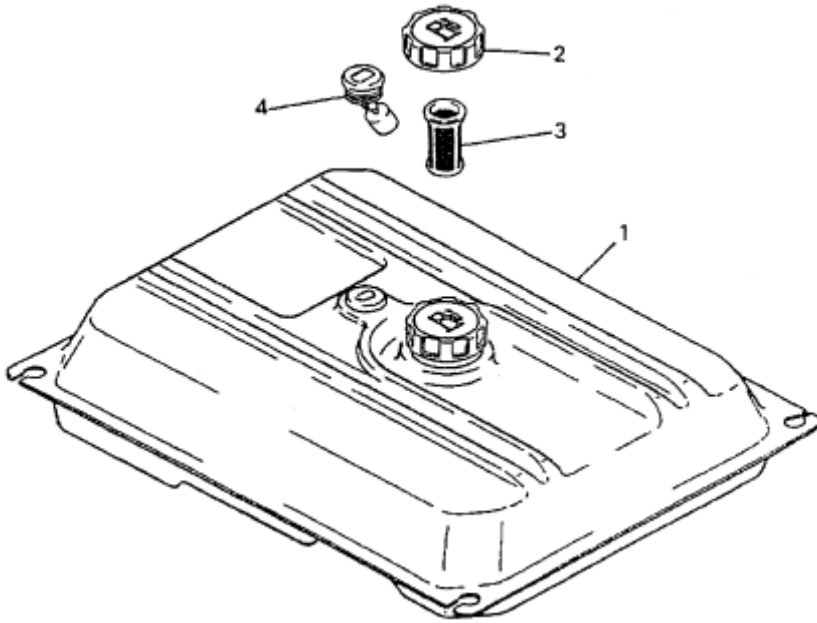
| Number | Part Number | Parts Name | Number Required | Remarks |
|--------|-------------|--------------|-----------------|---------|
| 1 | KH28005JA | Cover, Fan | 1 | |
| 2 | B805B06X012 | Bolt, Flange | 4 | |

L. CYLINDER COVER GROUP



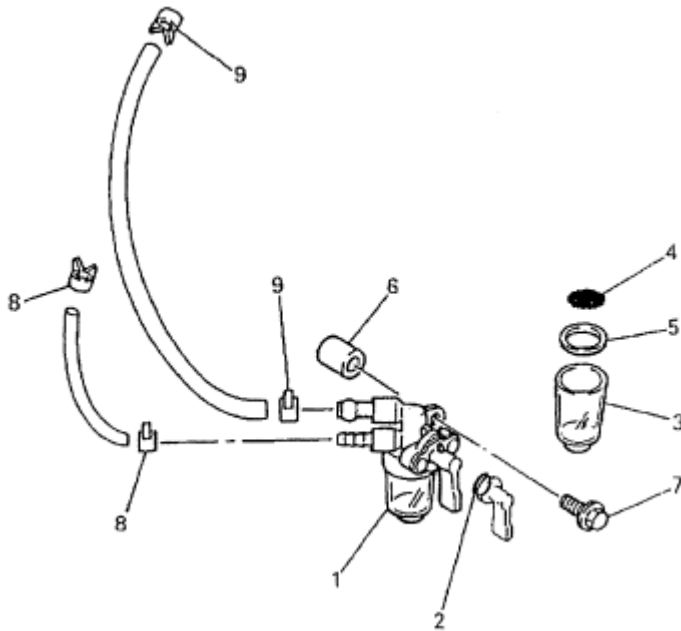
| Number | Part Number | Parts Name | Number Required | Remarks |
|--------|-------------|-----------------|-----------------|---------|
| 1 | KH40020AA | Cover, Cylinder | 1 | |
| 2 | B805B06X012 | Bolt, Flange | 2 | |

M. TANK GROUP



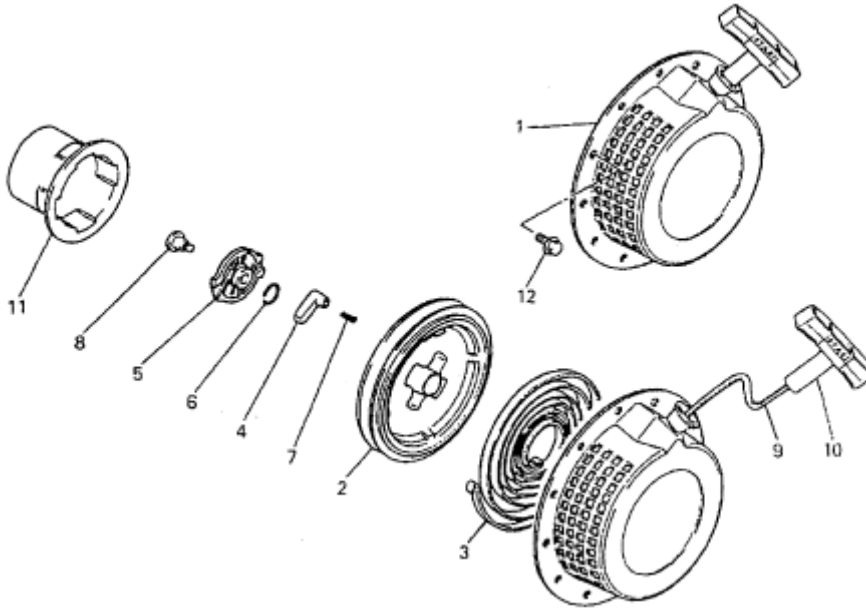
| Number | Part Number | Parts Name | Number Required | Remarks |
|--------|-------------|-----------------|-----------------|---------------|
| 1 | KF04093AA | Fuel Tank Assy. | 1 | Incl. No. 2-4 |
| 2 | KF05010CA | Tank Cap Assy. | 1 | |
| 3 | KF40003AA | Filter, Fuel | 1 | |
| 4 | KF90080DA | Gauge, Oil | 1 | |

N. COCK GROUP



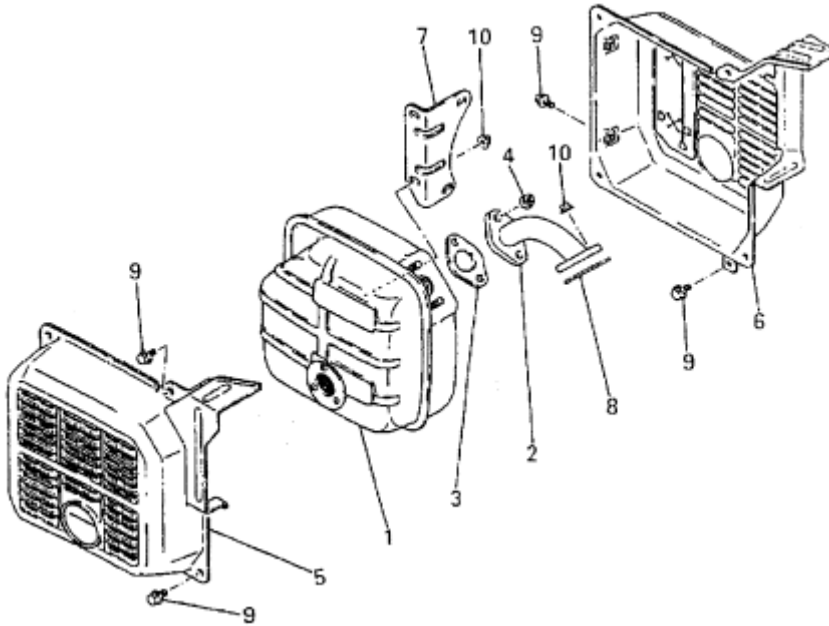
| Number | Part Number | Parts Name | Number Required | Remarks |
|--------|--------------|--------------|-----------------|---------------|
| 1 | KF31018AA | Cock, Fuel | 1 | Incl. No. 2-5 |
| 2 | KF31010AA001 | O-Ring | 1 | |
| 3 | KF31010AA002 | Cup | 1 | |
| 4 | KF31018AA003 | Filter, Fuel | 1 | |
| 5 | KF31010AA004 | Packing | 1 | |
| 6 | KF90105AA | Spacer | 1 | |
| 7 | B800A06X025 | Bolt, Flange | 1 | |
| 8 | FR53226 | Clip | 2 | |
| 9 | FR67419 | Clip | 2 | |

R. RECOIL STARTER GROUP



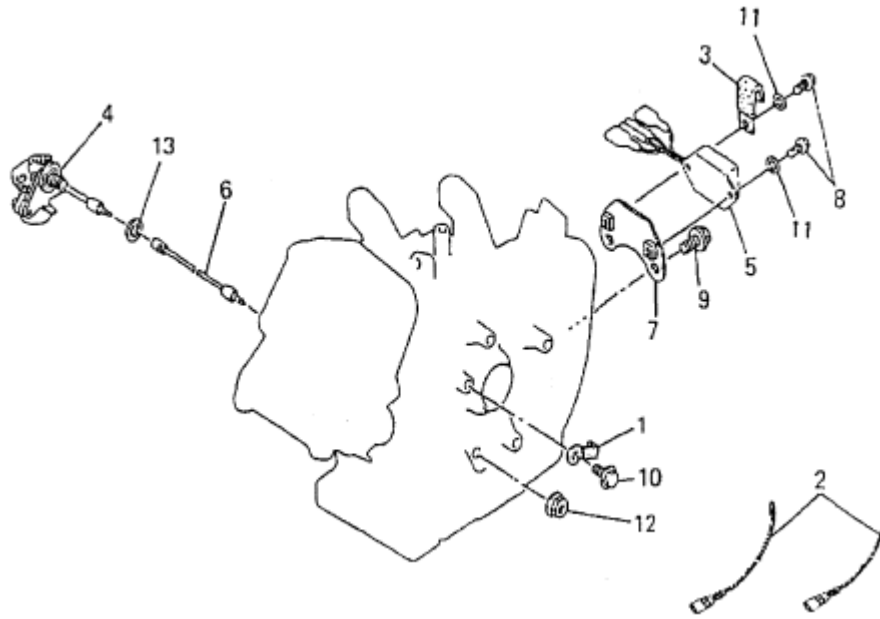
| Number | Part Number | Parts Name | Number Required | Remarks |
|--------|--------------|----------------------|-----------------|----------------|
| 1 | KS02039AD | Recoil Starter Assy. | 1 | Incl. No. 2-11 |
| 2 | KS20060AD002 | Reel | 1 | |
| 3 | KS20060AD003 | Spring, Spiral | 1 | |
| 4 | KS20060AD004 | Ratchet | 2 | |
| 5 | KS20061AD005 | Guide | 1 | |
| 6 | KS20060AD006 | Spring, Friction | 1 | |
| 7 | KS20020AD007 | Spring, Return | 2 | |
| 8 | KS20020AD008 | Screw | 1 | |
| 9 | KS20035AD013 | Rope, Starter | 1 | |
| 10 | KS20060AD014 | Knob, Starter | 1 | |
| 11 | KS30020AA | Pulley, Starter | 1 | |
| 12 | B800A06X008 | Bolt, Flange | 4 | |

S. MUFFLER GROUP



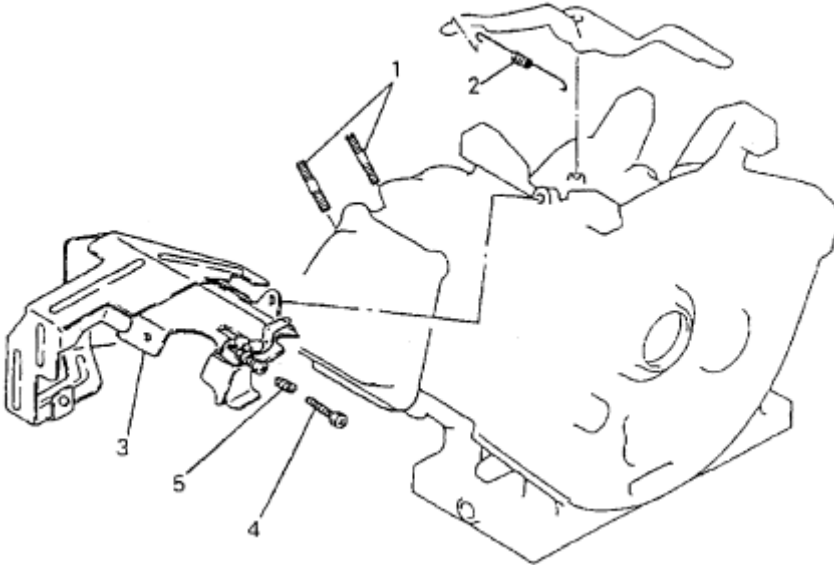
| Number | Part Number | Parts Name | Number Required | Remarks |
|--------|--------------|-------------------|-----------------|---------|
| 1 | KM17024AA | Muffler | 1 | |
| 2 | KM3006AA | Pipe, Exhaust | 1 | |
| 3 | KM70032AB | Gasket, Muffler | 1 | |
| 4 | ZZ70028C | Nut, Conical Spg. | 2 | |
| 5 | KM27043AA | Cover, Muffler | 1 | |
| 6 | KM27044AA | Cover, Muffler | 1 | |
| 7 | KM60014AA | Bracket, Muffler | 1 | |
| 8 | KM70032AB | Gasket, MUffler | 1 | |
| 9 | B800A06X008K | Bolt, Flange | 7 | |
| 10 | ZZ70028C | Nut, Conical Spg. | 4 | |

W. OIL SENSOR GROUP



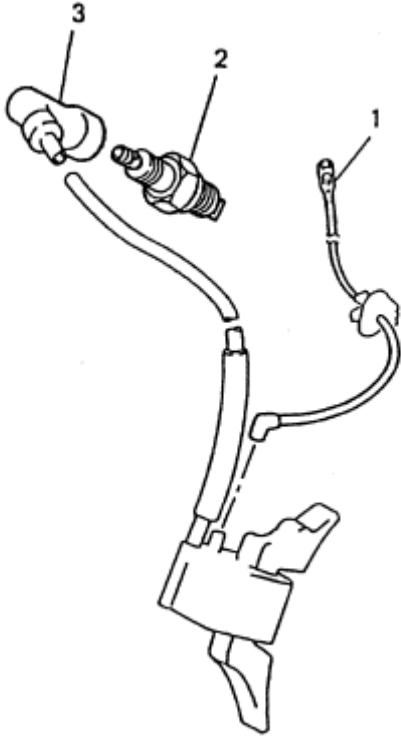
| Number | Part Number | Parts Name | Number Required | Remarks |
|--------|-------------|-------------------|-----------------|---------|
| 1 | FA41303 | Clamp | 1 | |
| 2 | FR63858 | Wire, Lead | 2 | |
| 3 | FR64917 | Clamp | 1 | |
| 4 | KE09021AA | Sensor, Oil | 1 | |
| 5 | KE33005AA | Unit, Sensor | 1 | |
| 6 | KE90102AA | Wire, Lead | 2 | |
| 7 | KE90168AA | Bracket, Unit | 1 | |
| 8 | B080A05X008 | Bolt and Washer | 2 | |
| 9 | B800A08X016 | Bolt, Flange | 2 | |
| 10 | B805B06X012 | Bolt, Flange | 1 | |
| 11 | W205H05 | Washer, S | 2 | |
| 12 | ZZ70028C | Nut, Conical Spg. | 1 | |
| 13 | KW39066AA | Gasket | 1 | |

1. BOLT, CLAMP, COVER ETC.



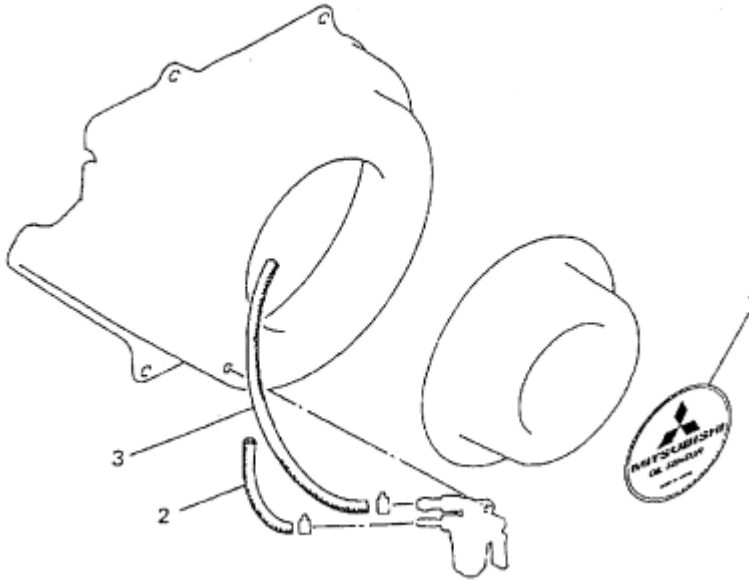
| Number | Part Number | Parts Name | Number Required | Remarks |
|--------|-------------|-------------|-----------------|----------------|
| 1 | B155B08X020 | Bolt, Stud | 2 | |
| 2 | KG34017FA | Spring, Gov | 1 | |
| 3 | KH40050AA | Cover, Top | 1 | Incl. No. 4, 5 |
| 4 | KU14028AA | Bolt | 1 | |
| 5 | KU80015AA | Spring | 1 | |

2. LEAD WIRE, PLUG



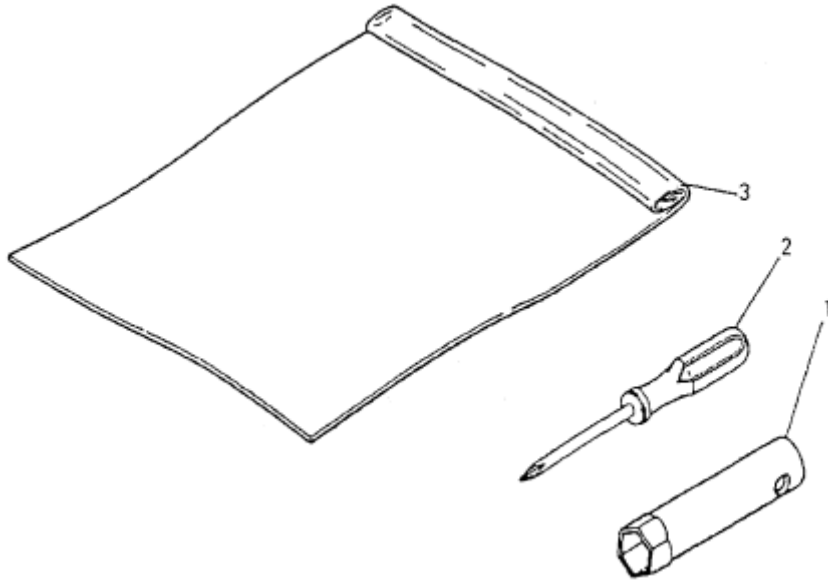
| Number | Part Number | Parts Name | Number Required | Remarks |
|--------|-------------|-------------|-----------------|---------|
| 1 | KE90101AA | Wire, Lead | 1 | |
| 2 | KE41005AA | Plug, Spark | 1 | BPR5ES |
| 3 | KE42024AA | Cap, Plug | 1 | |

3. LABEL, FUEL HOSE



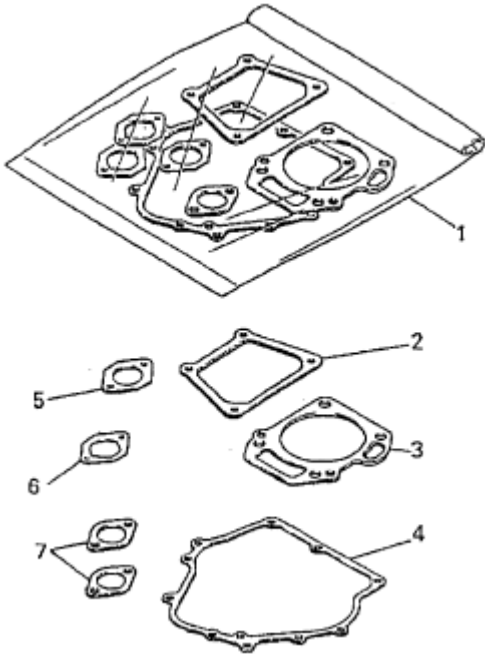
| Number | Part Number | Parts Name | Number Required | Remarks |
|--------|-------------|-------------|-----------------|---------|
| 1 | KW52185AA | Label, Name | 1 | |
| 2 | P051Y04X220 | Hose, Fuel | 1 | |
| 3 | P051Y08X470 | Hose, Fuel | 1 | |

4. TOOL SET ETC.



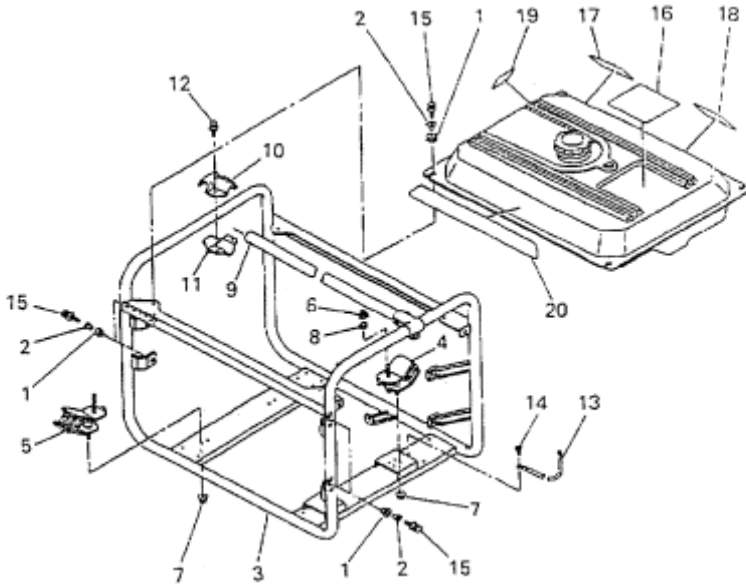
| Number | Part Number | Parts Name | Number Required | Remarks |
|--------|-------------|---------------|-----------------|---------|
| 1 | KN12004CA | Spanner, Box | 1 | |
| 2 | KN13001AA | Driver, Screw | 1 | |
| 3 | FA21533D | Bag, Tool | 1 | |

5. GASKET SET



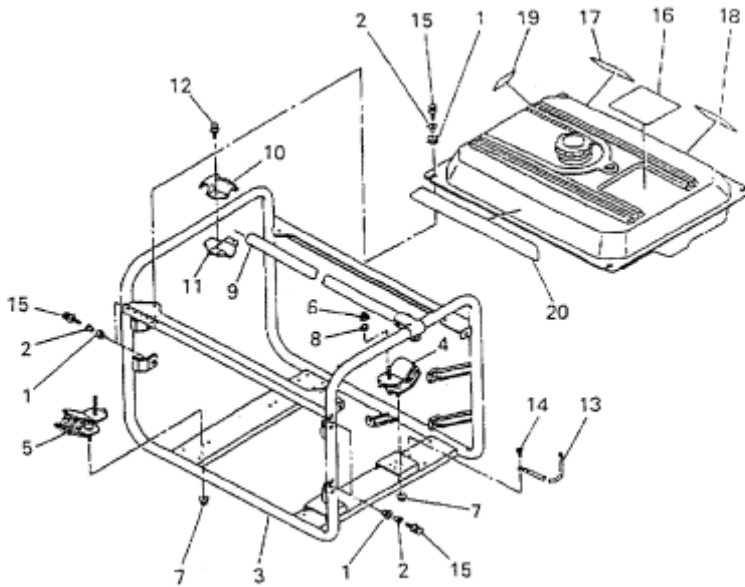
| Number | Part Number | Parts Name | Number Required | Remarks |
|--------|-------------|--------------------|-----------------|---------------|
| 1 | KW39058CA | Gasket Set | 1 | Incl. No. 2-7 |
| 2 | KW33002AA | Gasket, Head Cover | 1 | |
| 3 | KC66009AA | Gasket, Head | 1 | |
| 4 | KW31007AA | Gasket, Crankcase | 1 | |
| 5 | KW34001AA | Gasket, Carburetor | 1 | |
| 6 | KW34005AA | Gasket, Carburetor | 1 | |
| 7 | KM70032AB | Gasket, Muffler | 2 | |

6. FRAME AND TANK



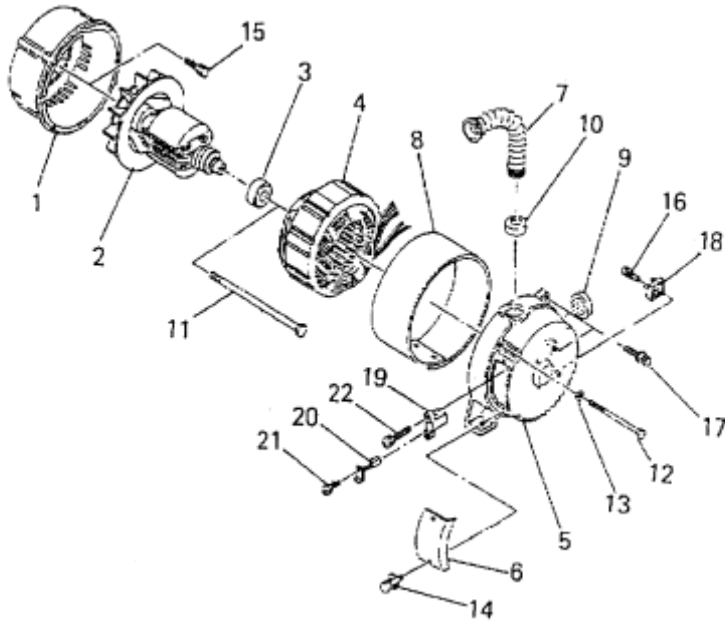
| Number | Part Number | Parts Name | Number Required | Remarks |
|--------|--------------|--------------------|-----------------|---------|
| 1 | KU50018AA | Bush | 8 | |
| 2 | KU50019AA | Spacer | 8 | |
| 3 | KYF011003595 | MG Pipe Frame UN | 1 | |
| 4 | KYG060000842 | MG Rubber Mount UN | 2 | |
| 5 | KYG060000871 | MG Rubber Mount UN | 2 | |
| 6 | KY0022010000 | Nut, Flange | 4 | |
| 7 | KY0022008000 | Nut, Flange | 4 | |
| 8 | KY0030010000 | Washer | 1 | |
| 9 | KYF272000021 | MG Frame, Pipe | 2 | |
| 10 | KYF052000020 | Clamp | 4 | |
| 11 | KYF052000030 | Clamp | 4 | |
| 12 | KY0013006020 | MG Bolt | 8 | |

6. FRAME AND TANK



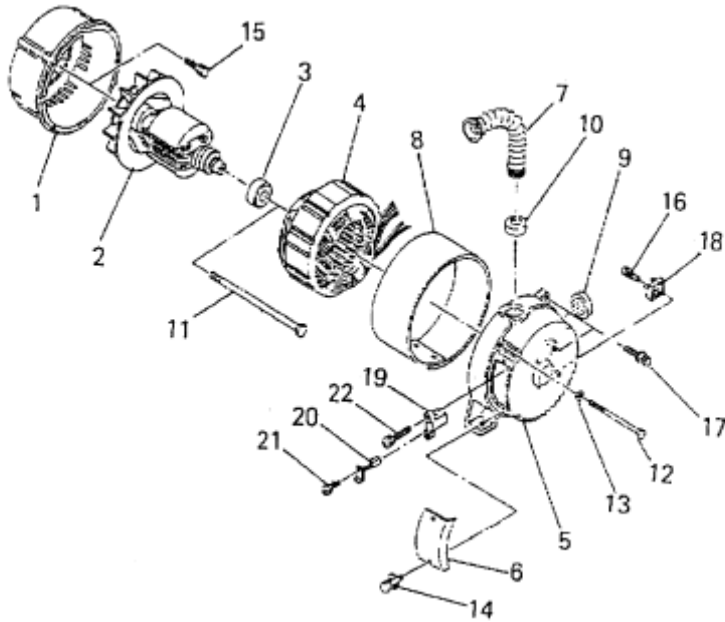
| Number | Part Number | Parts Name | Number Required | Remarks |
|--------|--------------|------------------|-----------------|---------|
| 13 | KYF070000200 | MG Earth Wire | 1 | |
| 14 | KY0011305010 | Screw and Washer | 1 | |
| 15 | KY0012906020 | MG Bolt, Flange | 8 | |
| 16 | KYT020001740 | Label, Caution | 1 | |
| 17 | KYT020001830 | Label | 1 | |
| 18 | KYT020001840 | Label | 1 | |
| 19 | KYC081000450 | Label | 1 | |
| 20 | KYC011400860 | Label | 1 | |

7. GENERATOR



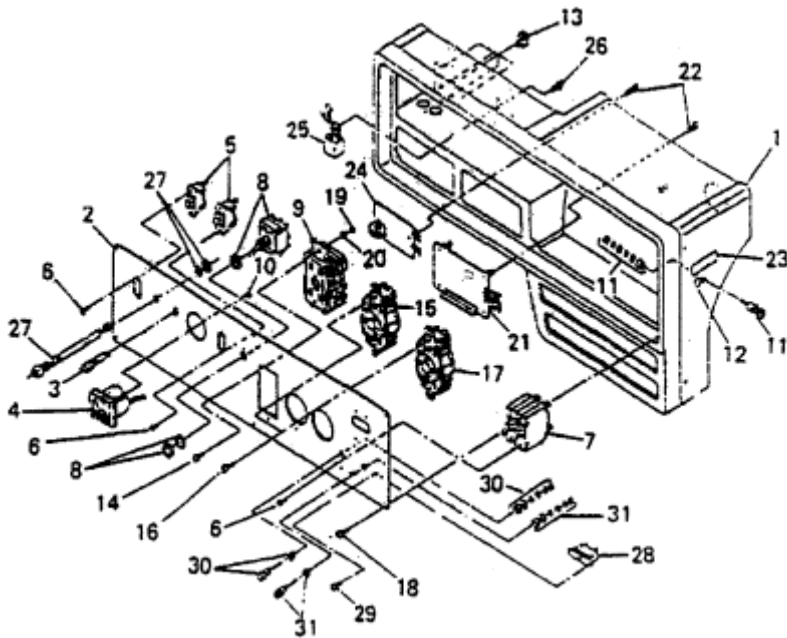
| Number | Part Number | Parts Name | Number Required | Remarks |
|--------|--------------|----------------|-----------------|---------|
| 1 | KYG010000061 | Bracket, Front | 1 | |
| 2 | KYG020001800 | Rotor | 1 | |
| 3 | KY0006205DDU | Bearing, Ball | 1 | |
| 4 | KYG040008150 | MG Stator CP | 1 | |
| 5 | KYG080000970 | MG Rear Cover | 1 | |
| 6 | KYG110000020 | MG Brush Cover | 1 | |
| 7 | KYG070000270 | MG Bushing | 1 | |
| 8 | KYG120001310 | Cover | 1 | |
| 9 | KYG082000010 | Cap | 1 | |
| 10 | KYG082000020 | Cap | 1 | |
| 11 | KY0013510230 | Bolt | 1 | |
| 12 | KY0013508140 | Bolt | 4 | |

7. GENERATOR



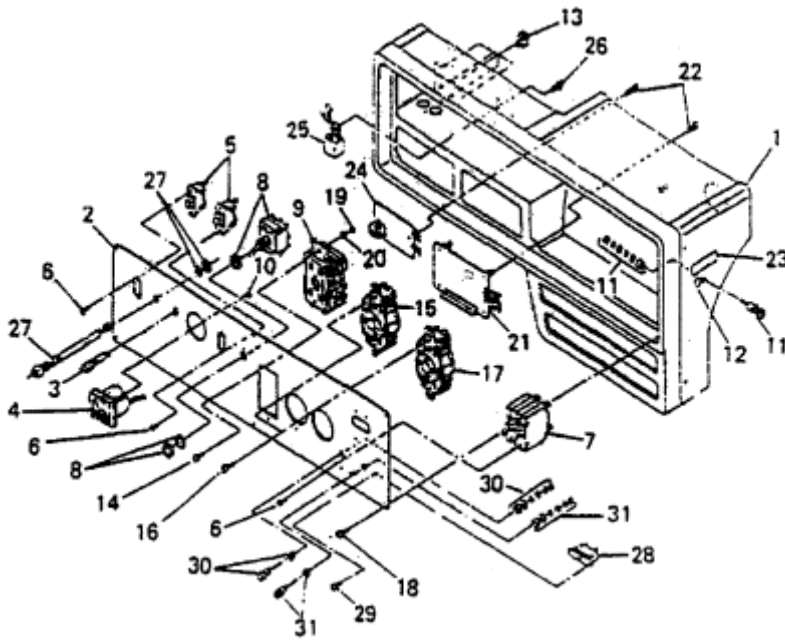
| Number | Part Number | Parts Name | Number Required | Remarks |
|--------|--------------|------------------|-----------------|---------|
| 13 | KY0030308000 | Washer, Spg. | 4 | |
| 14 | KY0013705012 | Bolt and Washer | 2 | |
| 15 | KY0013608020 | MG Bolt | 4 | |
| 16 | KY0012004020 | Screw and Washer | 1 | |
| 17 | KY0012208030 | MG Bolt | 2 | |
| 18 | KY015S15VB20 | MG Diode Stack | 1 | |
| 19 | KYG101000010 | MG Brush Holder | 1 | |
| 20 | KYG102000010 | MG Brush UN | 1 | |
| 21 | KY0011204008 | MG Screw | 2 | |
| 22 | KY0011205020 | MG Screw | 2 | |
| 23 | KYG15000450 | MG Spacer | 2 | |

8. CONTROL BOX



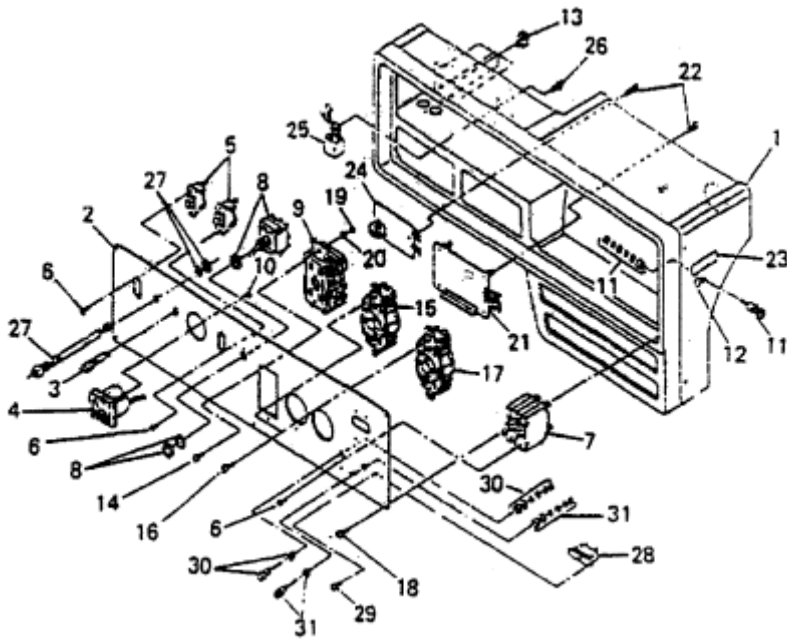
| Number | Part Number | Parts Name | Number Required | Remarks |
|--------|--------------|-----------------|-----------------|---------|
| 1 | XKG08675A | Panel Control | 1 | |
| 2 | KYC011008211 | MG Print, Panel | 1 | |
| 3 | KY01401110R0 | Lamp | 1 | |
| 4 | KY00412120A1 | MG V Meter | 1 | |
| 5 | KY0130718106 | Switch | 2 | |
| 6 | KY0013303006 | Screw | 8 | |
| 7 | KY0081119014 | MG Breaker | 1 | |
| 8 | KY0130312025 | Switch | 1 | |
| 9 | KY0067703120 | MG Receptacle | 1 | |
| 10 | KY0021903000 | Nut | 2 | |
| 11 | KY009211202B | Terminal Assy. | 1 | |
| 12 | KYC011700070 | Label | 1 | |

8. CONTROL BOX



| Number | Part Number | Parts Name | Number Required | Remarks |
|--------|--------------|--------------------|-----------------|---------|
| 13 | KY0200000000 | Bush | 5 | |
| 14 | KY0013304010 | Screw and Washer | 2 | |
| 15 | KY0065605130 | MG Receptacle | 1 | |
| 16 | KY0013330510 | Screw | 4 | |
| 17 | KY0065706320 | MG Receptacle | 1 | |
| 18 | KY0013304008 | MG Screw | 6 | |
| 19 | KY0020004000 | MG Nut | 2 | |
| 20 | KY0030004000 | MG Washer | 2 | |
| 21 | KYC031001810 | MG AR UN | 1 | |
| 22 | KY0011204006 | Screw and Washer | 6 | |
| 23 | KYC011900180 | MG Label | 1 | |
| 24 | KYC150000200 | MG Idle Control Un | 1 | |

8. CONTROL BOX



| Number | Part Number | Parts Name | Number Required | Remarks |
|--------|--------------|----------------------|-----------------|---------|
| 25 | FA28217 | Rectifier | 1 | |
| 26 | KY0013006010 | MG Bolt | 1 | |
| 27 | KY035000301R | MG LED CP | 1 | |
| 28 | KY0080016010 | MG Circuit Protector | 1 | |
| 29 | KY0013303006 | Screw | 2 | |
| 30 | KY009211202B | Terminal Assy. | 1 | |
| 31 | KY009211202R | Terminal Assy. | 1 | |