

# MGA Series Generators

## Model

**MGA1800XFOC**

## Parts Breakdown

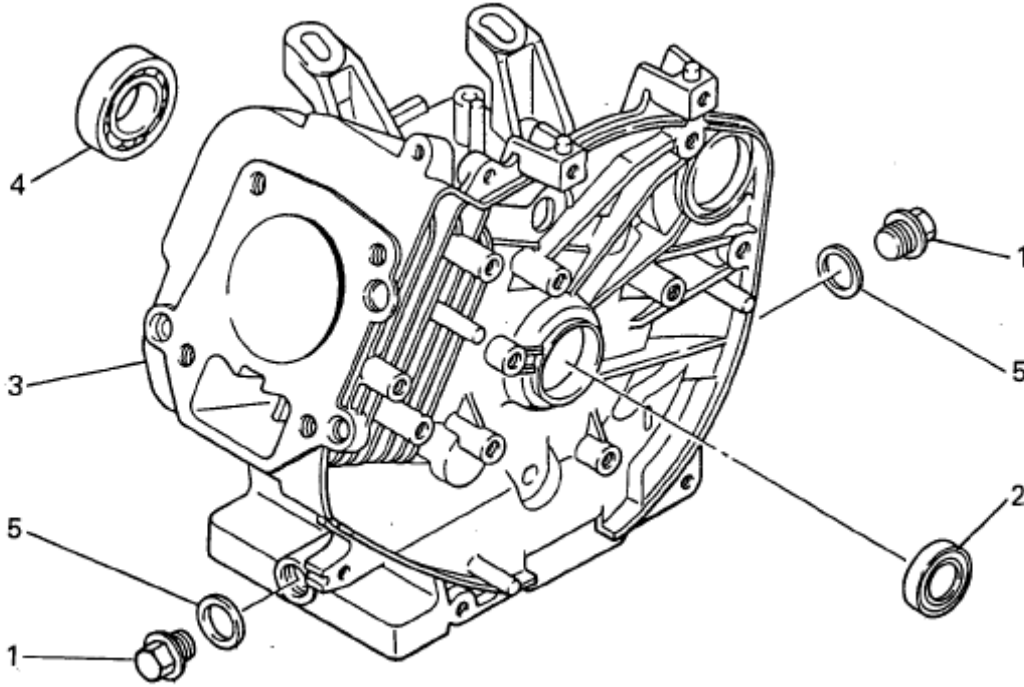
## Remarks on Parts Catalog

1. This parts catalog contains all parts for the MITSUBISHI GENERATOR "MGA1800XFOC."
2. The figures in drawings are the index number of the parts.
3. When ordering parts, please clarify the part number and name or engine model name and give to your dealer.
4. Please note part numbers may be changed periodically without notice.

**Table of Contents**

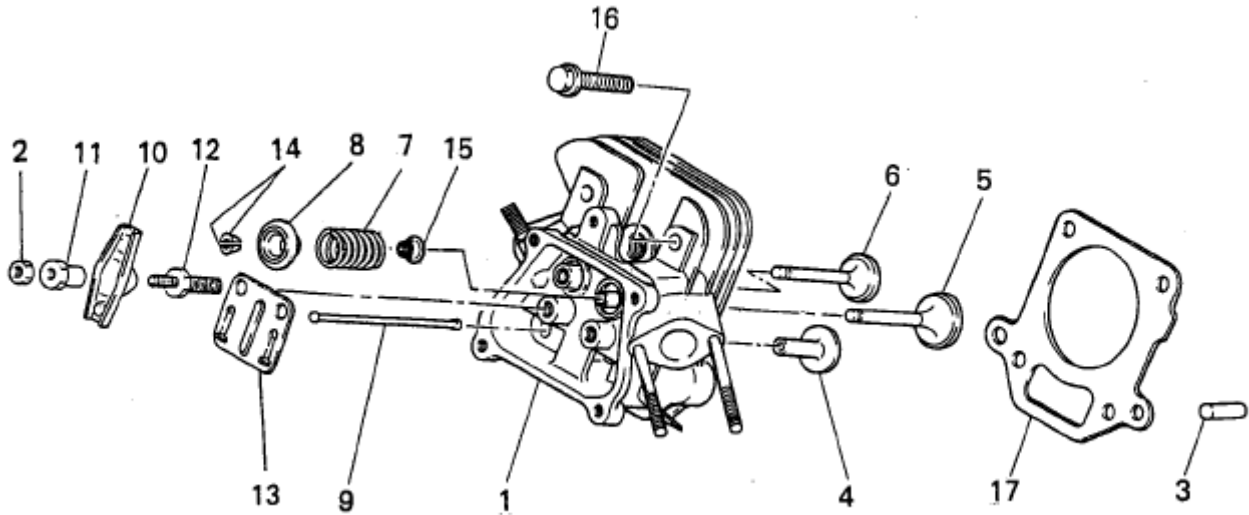
|                         | Page           |
|-------------------------|----------------|
| A. Cylinder Block Group | 4              |
| B. Cylinder Head Group  | 5, 6           |
| C. Head Cover Group     | 7              |
| D. Case Cover Group     | 8              |
| E. Crankshaft Group     | 9              |
| F. Piston and Rod Group | 10             |
| G. Magnet Group         | 11             |
| H. Air Cleaner Group    | 12             |
| I. Carburetor Group     | 13, 14, 15     |
| J. Control Panel Group  | 16, 17         |
| K. Fan Cover Group      | 18             |
| L. Cylinder Cover Group | 19             |
| M. Tank Group           | 20             |
| N. Cock Group           | 21             |
| R. Recoil Starter Group | 22             |
| S. Muffler Group        | 23             |
| U. Switch Group         | 24             |
| W. Oil Sensor Group     | 25             |
| X. Cover Group          | 26             |
| 1. Bolt, Spring, Cover  | 27             |
| 2. Lead Wire, Plug, Cap | 28             |
| 3. Label, Fuel Hose     | 29             |
| 4. Tool Set, Etc.       | 30             |
| 5. Gasket Set           | 31             |
| 6. Frame and Tank       | 32             |
| 7. Generator            | 33, 34         |
| 8. Control Box          | 35, 36, 37, 28 |

## A. CYLINDER BLOCK GROUP



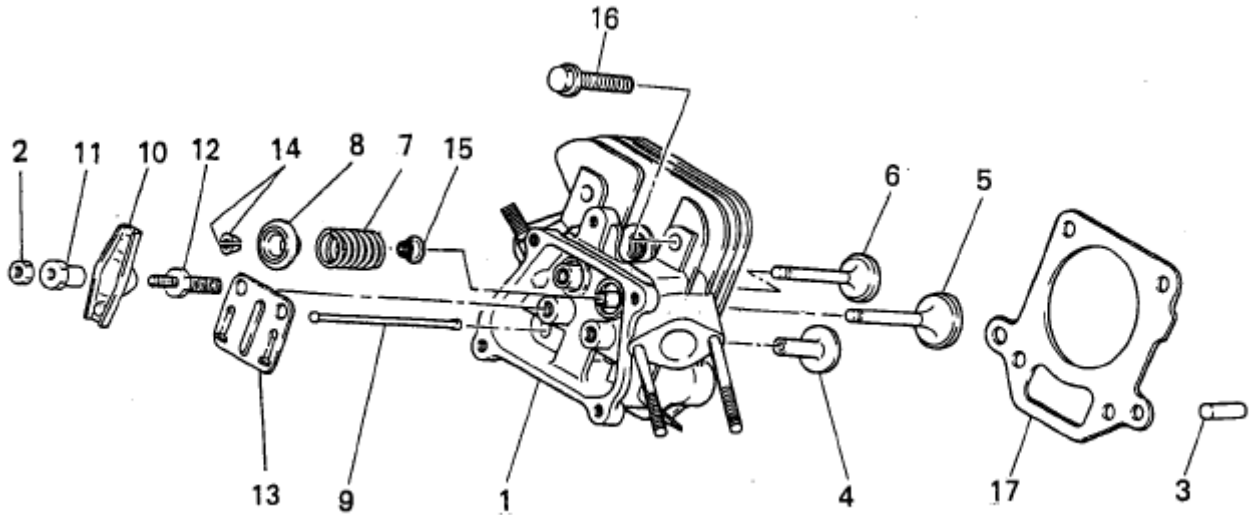
| Number | Part Number | Parts Name     | Number Required | Remarks |
|--------|-------------|----------------|-----------------|---------|
| 1      | FN11223     | Plug, Drain    | 2               |         |
| 2      | FR41845A    | Oil Seal       | 1               |         |
| 3      | KB43008CA   | Cylinder Block | 1               |         |
| 4      | FN15746     | Bearing, Ball  | 1               |         |
| 5      | ZZ70013A    | Gasket         | 2               |         |

## B. CYLINDER HEAD GROUP



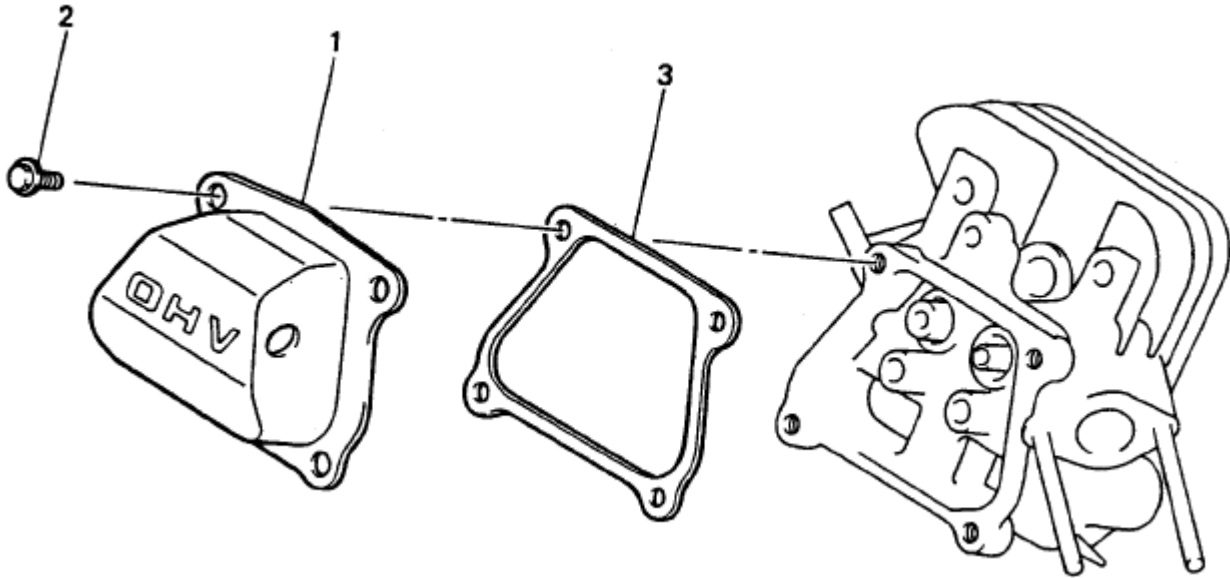
| Number | Part Number | Parts Name          | Number Required | Remarks          |
|--------|-------------|---------------------|-----------------|------------------|
| 1      | KC02026AA   | Cylinder Head Assy. | 1               | With B155B06X075 |
| 2      | KU23009AA   | Nut                 | 2               |                  |
| 3      | KU44001AA   | Pin, Dowel          | 2               |                  |
| 4      | KV24003AA   | Tappet              | 2               |                  |
| 5      | KV34003BA   | Valve, Intake       | 1               |                  |
| 6      | KV43003AA   | Valve, Exhaust      | 1               |                  |
| 7      | KV55005AA   | Spring, Valve       | 2               |                  |
| 8      | KV65003AA   | Retainer, Valve Spg | 2               |                  |
| 9      | KV71005AA   | Rod, Push           | 2               |                  |
| 10     | KV72003AA   | Arm, Rocker         | 2               |                  |
| 11     | KV73002AA   | Nut                 | 2               |                  |
| 12     | KV74002AA   | Bolt                | 2               |                  |

## B. CYLINDER HEAD GROUP



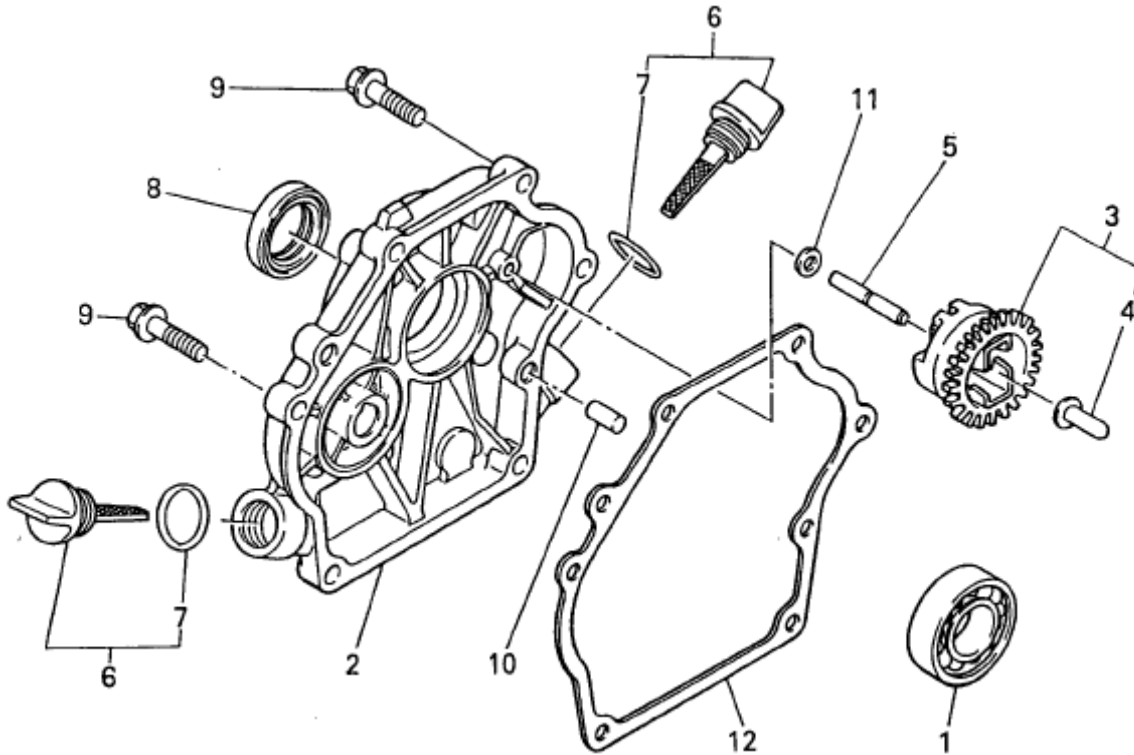
| Number | Part Number | Parts Name       | Number Required | Remarks |
|--------|-------------|------------------|-----------------|---------|
| 13     | KV75005AA   | Plate            | 1               |         |
| 14     | KV75007AA   | Cotter           | 4               |         |
| 15     | KW21019AA   | Seal, Valve Stem | 1               |         |
| 16     | B800B08X055 | Bolt, Flange     | 4               |         |
| 17     | KC66007AA   | Gasket Head      | 1               |         |

C. HEAD COVER GROUP



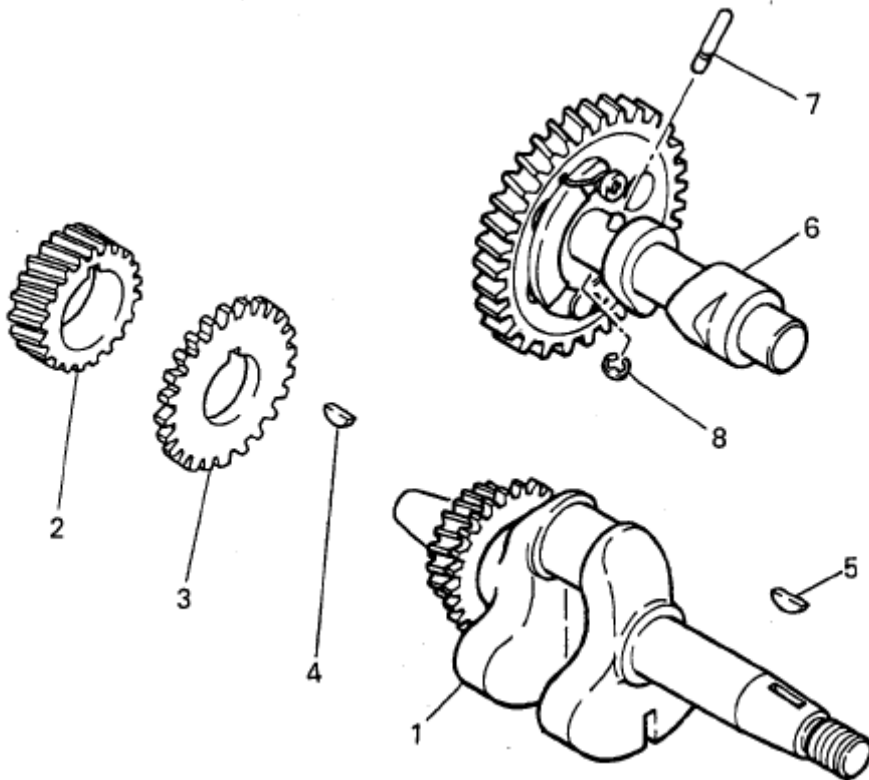
| Number | Part Number | Parts Name         | Number Required | Remarks |
|--------|-------------|--------------------|-----------------|---------|
| 1      | KC0901AA    | Cover, Head`       | 1               |         |
| 2      | B805B06X012 | Bolt, Flange       | 4               |         |
| 3      | KW33001AB   | Gasket, Head Cover | 1               |         |

## D. CASE COVER GROUP



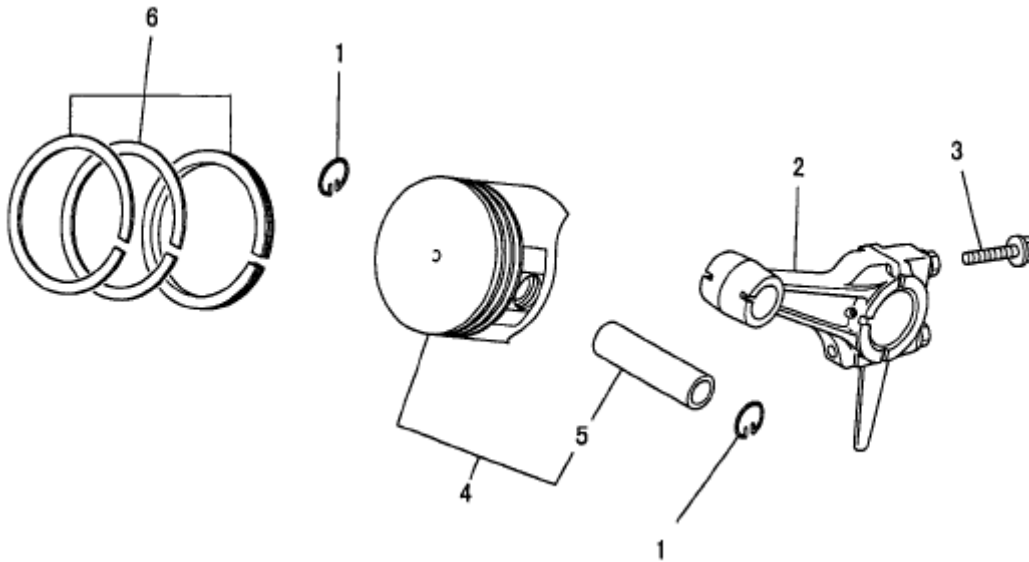
| Number | Part Number | Parts Name          | Number Required | Remarks     |
|--------|-------------|---------------------|-----------------|-------------|
| 1      | FN15746     | Bearing, Ball       | 1               |             |
| 2      | KB63001CB   | Cover, Crankcase    | 1               |             |
| 3      | KG01003BA   | Governor Gear Assy. | 1               | Incl. No. 4 |
| 4      | KG14004AA   | Slider, Gov         | 1               |             |
| 5      | KG22004AA   | Shaft, Gov          | 1               |             |
| 6      | KL21006EA   | Gauge, Oil          | 2               | Incl. No. 7 |
| 7      | KW23003AA   | O-Ring              | 2               |             |
| 8      | KW23001AA   | Oil Seal            | 1               |             |
| 9      | B800B08X030 | Bolt, Flange        | 6               |             |
| 10     | KU44001AA   | Pin, Dowel          | 2               |             |
| 11     | W200H06     | Washer              | 1               |             |
| 12     | KW31005AA   | Gasket, Crankcase   | 1               |             |

## E. CRANKSHAFT GROUP



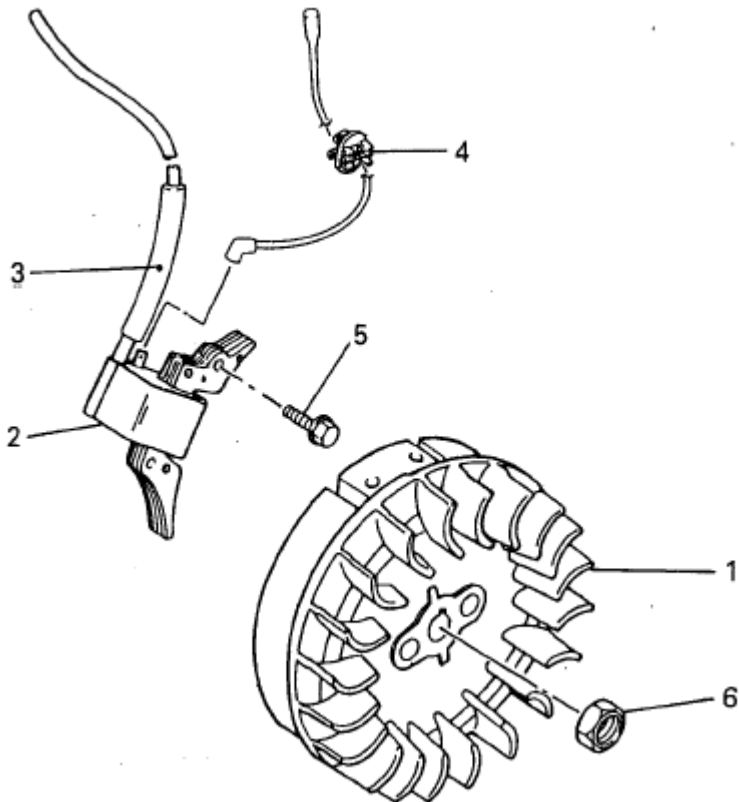
| Number | Part Number | Parts Name          | Number Required | Remarks        |
|--------|-------------|---------------------|-----------------|----------------|
| 1      | KD02033EA   | Crankshaft Assy.    | 1               | Incl. No. 2-4  |
| 2      | KD63020AA   | Gear, Crankshaft    | 1               |                |
| 3      | KD63009AA   | Gear                | 1               |                |
| 4      | W430B05X016 | Key, Woodruff       | 1               |                |
| 5      | W430B05X016 | Key, Woodruff       | 1               |                |
| 6      | KV01156CA   | Camshaft Gear Assy. | 1               | Incl. No. 7, 8 |
| 7      | KV83009DB   | Pin                 | 1               |                |
| 8      | S500P03     | Snap Ring           | 1               |                |

## F. PISTON AND ROD GROUP



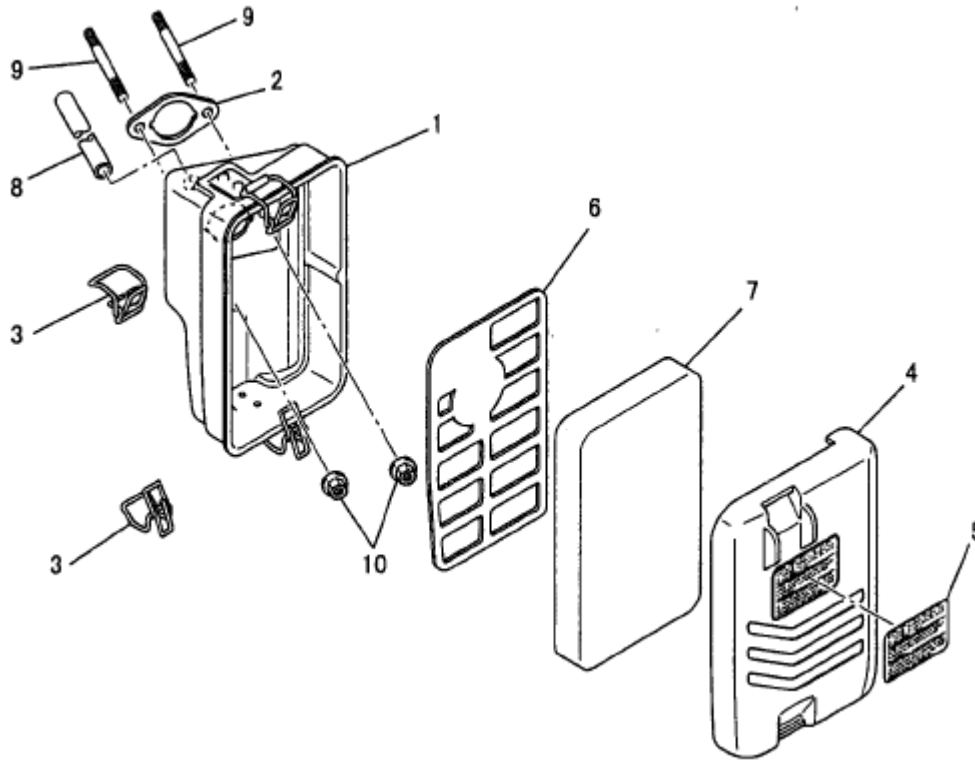
| Number | Part Number | Parts Name           | Number Required | Remarks             |
|--------|-------------|----------------------|-----------------|---------------------|
| 1      | FN11152     | Clip, Piston Pin     | 2               |                     |
| 2      | KD03005AA   | Connecting Rod Assy. | 1               | Std Incl. No. 3     |
| 2      | KD03005BA   | Connecting Rod Assy. | 1               | US 0.25 Incl. No. 3 |
| 2      | KD03005CA   | Connecting Rod Assy. | 1               | US 0.50 Incl. No. 3 |
| 3      | B800B06X030 | Bolt, Flange         | 2               |                     |
| 4      | KP01041AA   | Piston Set           | 1               | Std. Incl. No. 5    |
| 4      | KP01041BA   | Piston Set           | 1               | OS 0.25 Incl. No. 5 |
| 4      | KP01041CA   | Piston Set           | 1               | OS 0.50 Incl. No. 5 |
| 5      | KP55003BA   | Pin, Piston          | 1               |                     |
| 6      | KP02008AA   | Piston Ring Set      | 1               | Std.                |
| 6      | KP02008BA   | Piston Ring Set      | 1               | OS 0.25             |
| 6      | KP02008CA   | Piston Ring Set      | 1               | OS 0.50             |

## G. MAGNET GROUP



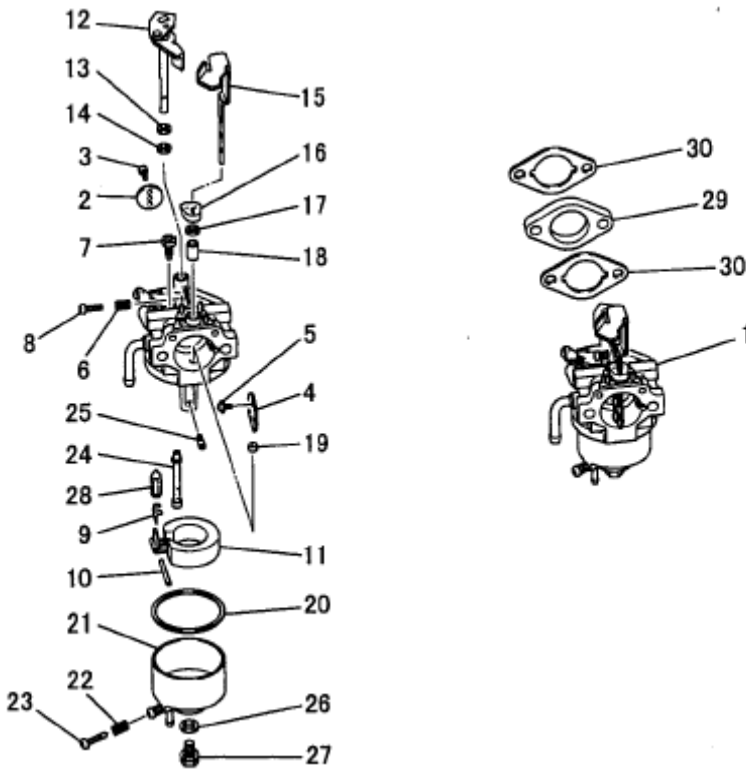
| Number | Part Number | Parts Name     | Number Required | Remarks |
|--------|-------------|----------------|-----------------|---------|
| 1      | KE12008DA   | Flywheel       | 1               |         |
| 2      | KE24009AA   | Coil, Ignition | 1               |         |
| 3      | KE90073AA   | Tube           | 1               |         |
| 4      | KU70007AA   | Clip           | 1               |         |
| 5      | B805B06X030 | Bolt, Flange   | 2               |         |
| 6      | FR41231     | Nut            | 1               |         |

## H. AIR CLEANER GROUP



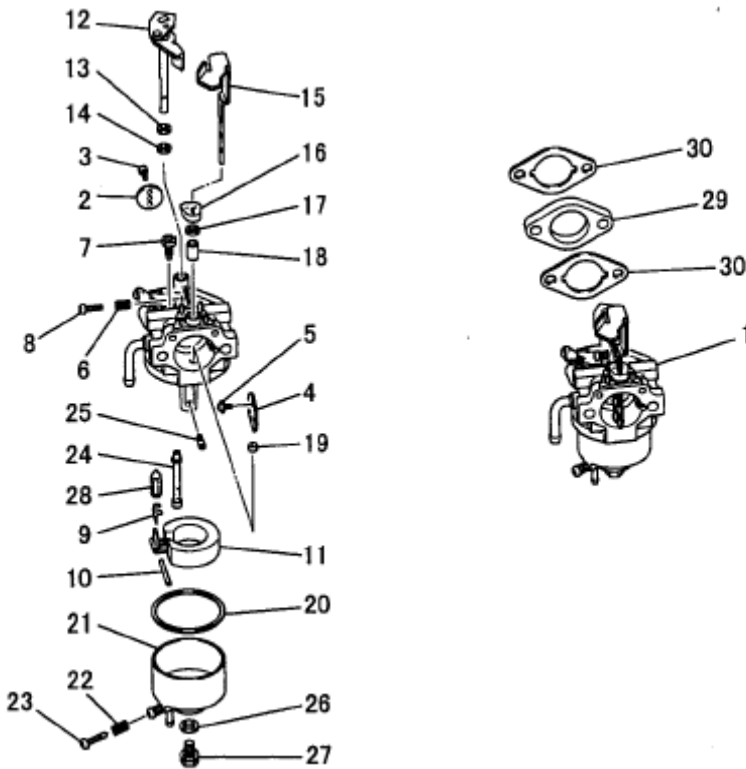
| Number | Part Number  | Parts Name         | Number Required | Remarks        |
|--------|--------------|--------------------|-----------------|----------------|
| 1      | KA11008AA    | Case, Cleaner      | 1               | Incl. No. 2, 3 |
| 2      | KA11008AA003 | Gasket             | 1               |                |
| 3      | KA90144AA    | Holder             | 2               |                |
| 4      | KA20044AA    | Cover, Cleaner     | 1               | Incl. No. 5    |
| 5      | FA24115      | Label, Instruction | 1               |                |
| 6      | KA30015AA    | Grid               | 1               |                |
| 7      | KA40057AA    | Element, Cleaner   | 1               |                |
| 8      | ZZ70002M     | Tube, Breather     | 1               |                |
| 9      | B155B06X075  | Bolt, Stud         | 2               |                |
| 10     | N801A06      | Nut, Flange        | 2               |                |

## I. CARBURETOR GROUP



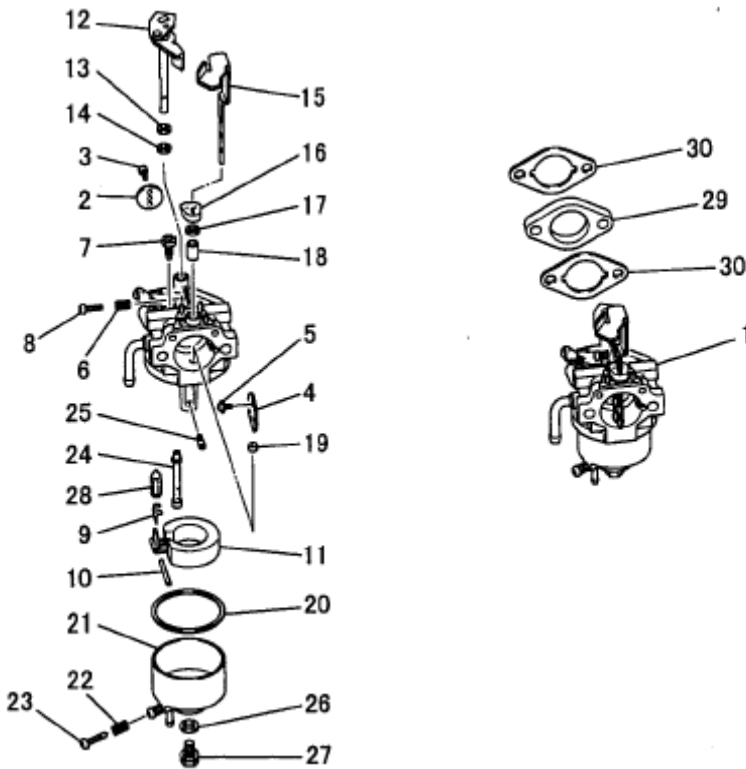
| Number | Part Number  | Parts Name      | Number Required | Remarks        |
|--------|--------------|-----------------|-----------------|----------------|
| 1      | KK12027AA    | Carburetor (F)  | 1               | Incl. No. 2-28 |
| 2      | KK12008AE002 | Valve, Throttle | 1               |                |
| 3      | KK12025AA003 | Screw           | 2               |                |
| 4      | KK12008AE004 | Valve, Choke    | 1               |                |
| 5      | KK12025AA005 | Screw           | 2               |                |
| 6      | FA27080XX003 | Spring          | 1               |                |
| 7      | KK15016AA008 | Jet, Pilot      | 1               |                |
| 8      | KK12008AE009 | Screw           | 1               |                |
| 9      | KK12008AE011 | Clip            | 1               |                |
| 10     | KK12008AE012 | Pin             | 1               |                |
| 11     | KK12008AE013 | Float           | 1               |                |
| 12     | KK12008AE014 | Shaft, Throttle | 1               |                |

## I. CARBURETOR GROUP



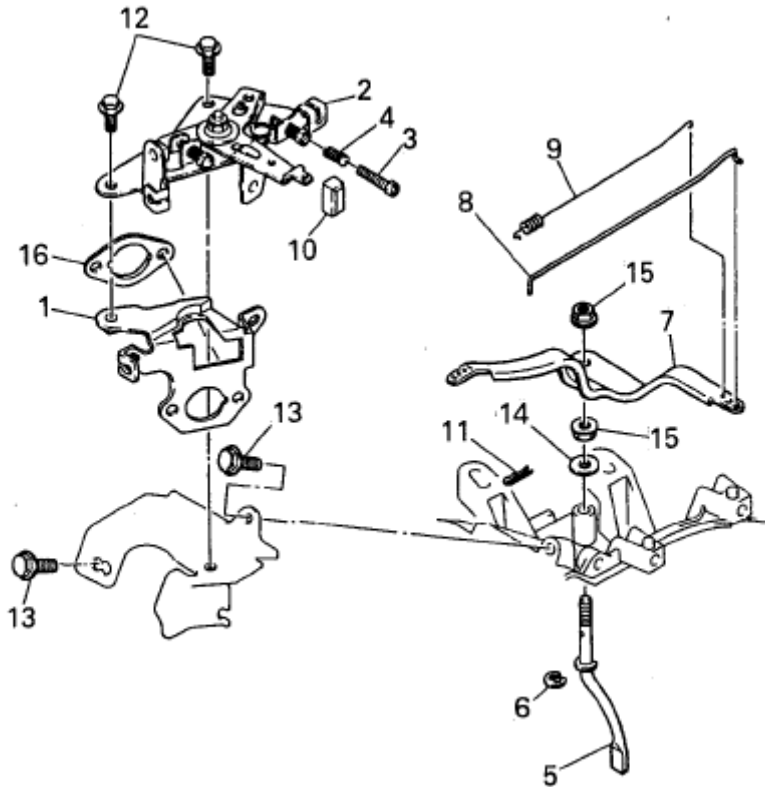
| Number | Part Number  | Parts Name     | Number Required | Remarks          |
|--------|--------------|----------------|-----------------|------------------|
| 13     | KK12008AE015 | Packing        | 1               |                  |
| 14     | KK12008AE016 | Seal           | 1               |                  |
| 15     | KK12022AA017 | Lever, Choke   | 1               |                  |
| 16     | KK12008AE018 | Ring           | 1               |                  |
| 17     | KK12008AE019 | Seal           | 1               |                  |
| 18     | KK12008AE020 | Ring           | 1               |                  |
| 19     | KK12008AE021 | Ring           | 1               |                  |
| 20     | KK12008AE022 | Packing        | 1               |                  |
| 21     | KK12012DA023 | Chamber, Float | 1               | Incl. No. 22, 23 |
| 22     | FA27080XX003 | Spring         | 1               |                  |
| 23     | KK15001AA018 | Screw          | 1               |                  |
| 24     | KK74524BD002 | Nozzle, Main   | 1               |                  |

## I. CARBURETOR GROUP



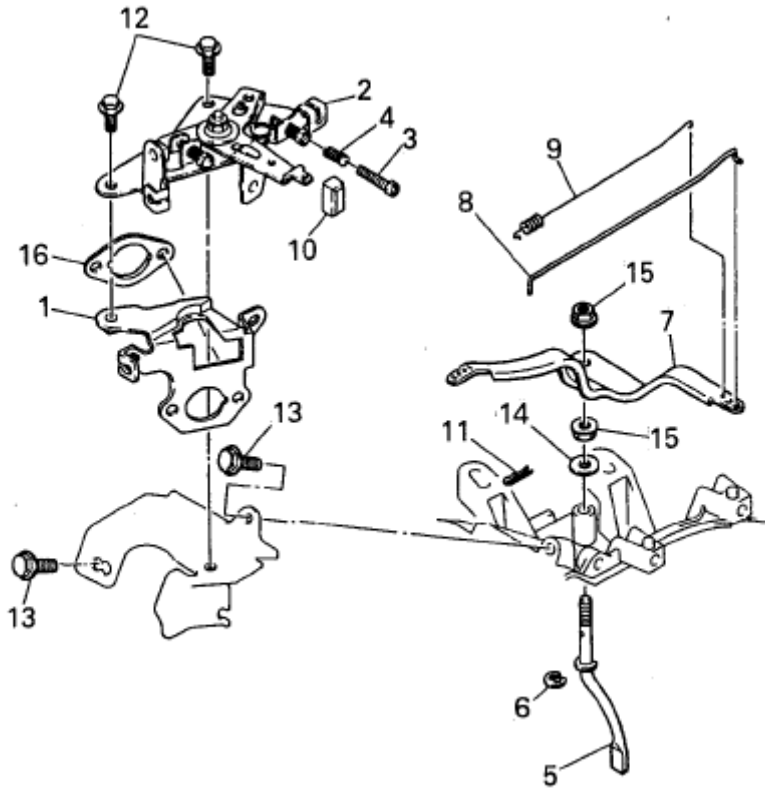
| Number | Part Number  | Parts Name         | Number Required | Remarks |
|--------|--------------|--------------------|-----------------|---------|
| 25     | KK74525CC725 | Jet, Main          | 1               |         |
| 26     | KK12008AE026 | Packing            | 1               |         |
| 27     | KK12008AE027 | Bolt               | 1               |         |
| 28     | KK12008AE110 | Valve, Needle      | 1               |         |
| 29     | KK33005AA    | Insulator          | 1               |         |
| 30     | KW34029AA    | Gasket, Carburetor | 2               |         |

## J. CONTROL PANEL GROUP



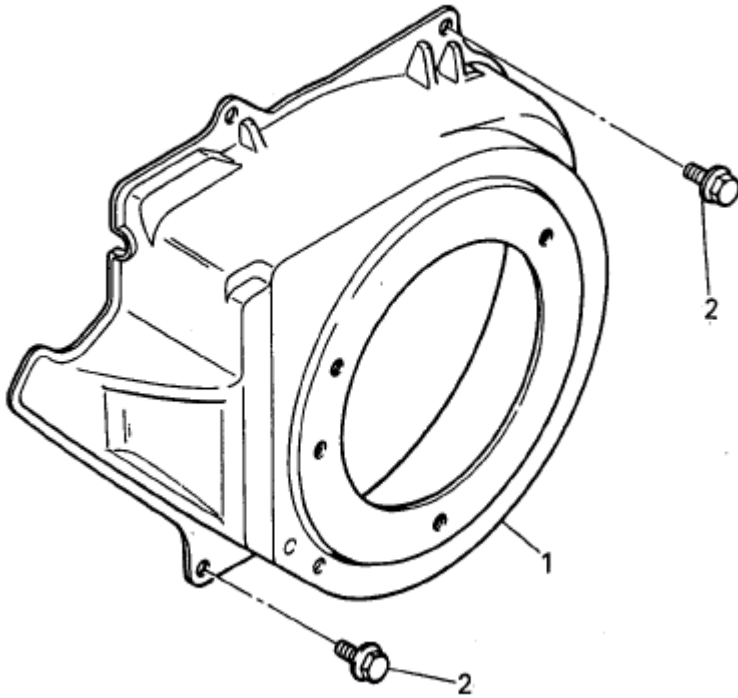
| Number | Part Number | Parts Name     | Number Required | Remarks        |
|--------|-------------|----------------|-----------------|----------------|
| 1      | KA90083AA   | Bracket        | 1               |                |
| 2      | KG03020AA   | Panel, Control | 1               | Incl. No. 3, 4 |
| 3      | KU14028AA   | Bolt           | 2               |                |
| 4      | KU80015AA   | Spring         | 2               |                |
| 5      | KG04004AA   | Shaft, Gov     | 1               | Incl. No. 6    |
| 6      | S500P07     | Snap Ring      | 1               |                |
| 7      | KG31012AA   | Lever, Gov     | 1               |                |
| 8      | KG41008BA   | Rod, Gov       | 1               |                |
| 9      | KG42005BA   | Spring, Rod    | 1               |                |
| 10     | KG90014AA   | Cap            | 1               |                |
| 11     | KU70006AA   | Clip           | 1               |                |
| 12     | B800A06X012 | Bolt, Flange   | 2               |                |

## J. CONTROL PANEL GROUP



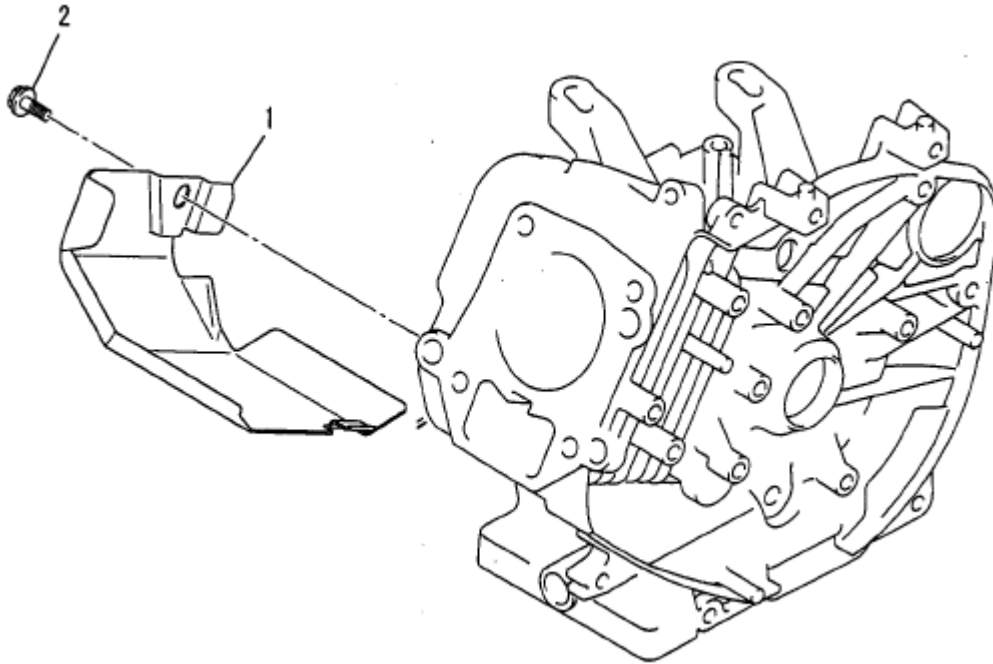
| Number | Part Number | Parts Name         | Number Required | Remarks |
|--------|-------------|--------------------|-----------------|---------|
| 13     | B805B06X012 | Bolt, Flange       | 2               |         |
| 14     | KG90015AA   | Washer             | 1               |         |
| 15     | KU24002AA   | Nut                | 2               |         |
| 16     | KW34029AA   | Gasket, Carburetor | 1               |         |

## K. FAN COVER GROUP



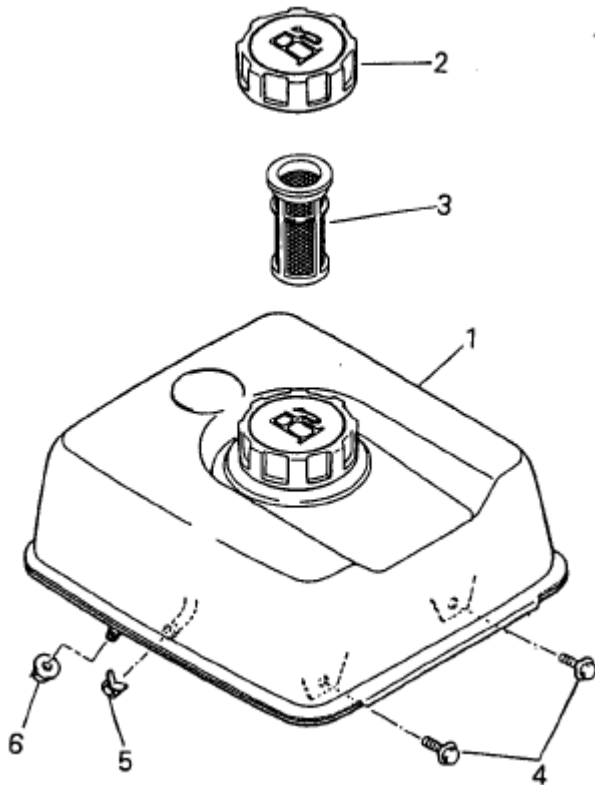
| Number | Part Number | Parts Name   | Number Required | Remarks |
|--------|-------------|--------------|-----------------|---------|
| 1      | KH25007GA   | Cover, Fan   | 1               |         |
| 2      | B805B06X012 | Bolt, Flange | 4               |         |

## L. CYLINDER COVER GROUP



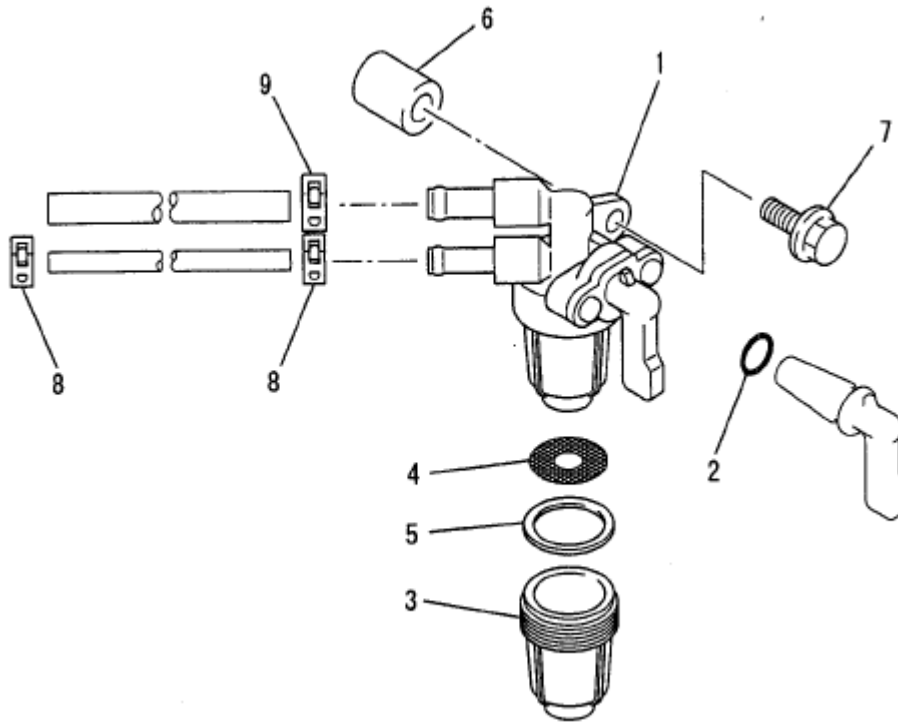
| Number | Part Number | Parts Name      | Number Required | Remarks |
|--------|-------------|-----------------|-----------------|---------|
| 1      | KH40019AA   | Cover, Cylinder | 1               |         |
| 2      | B805B06X012 | Bolt, Flange    | 1               |         |

## M. TANK GROUP



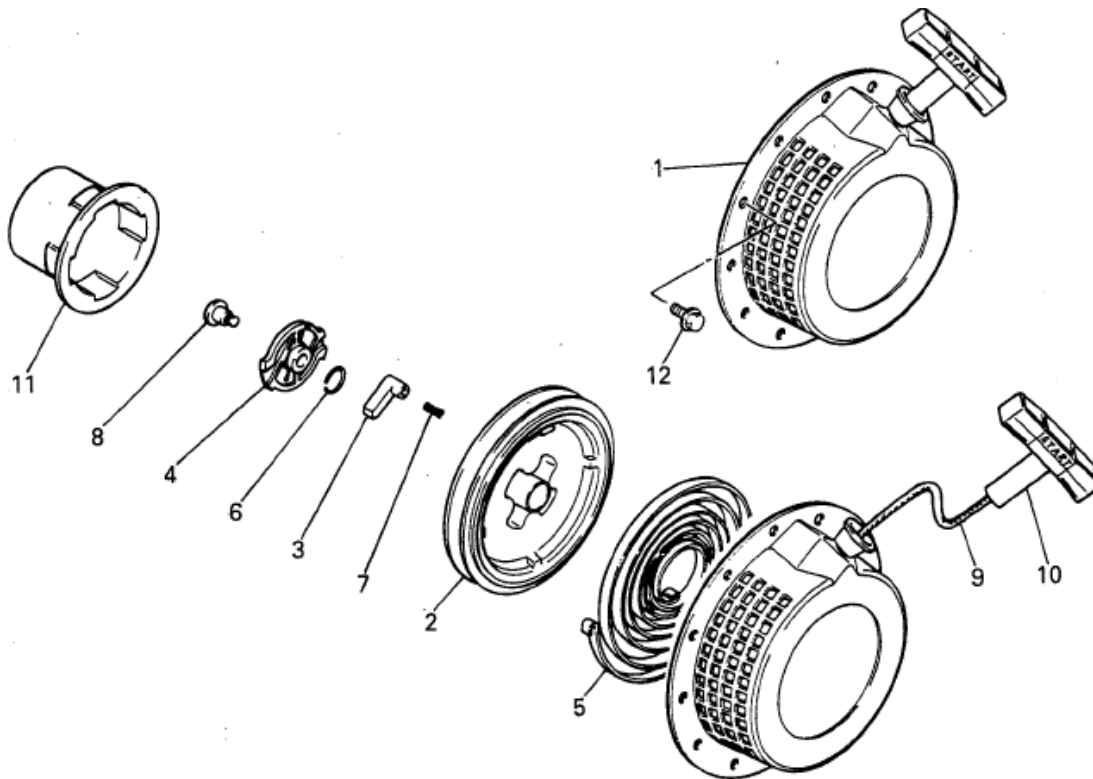
| Number | Part Number | Parts Name      | Number Required | Remarks        |
|--------|-------------|-----------------|-----------------|----------------|
| 1      | KF04052GA   | Fuel Tank Assy. | 1               | Incl. No. 2, 3 |
| 2      | KF05010CA   | Tank Cap Assy.  | 1               |                |
| 3      | KF40003CA   | Filter, Fuel    | 1               |                |
| 4      | B805B06X012 | Bolt, Flange    | 2               |                |
| 5      | FR67419     | Clip            | 1               |                |
| 6      | N801A06     | Nut, Flange     | 2               |                |

## N. COCK GROUP



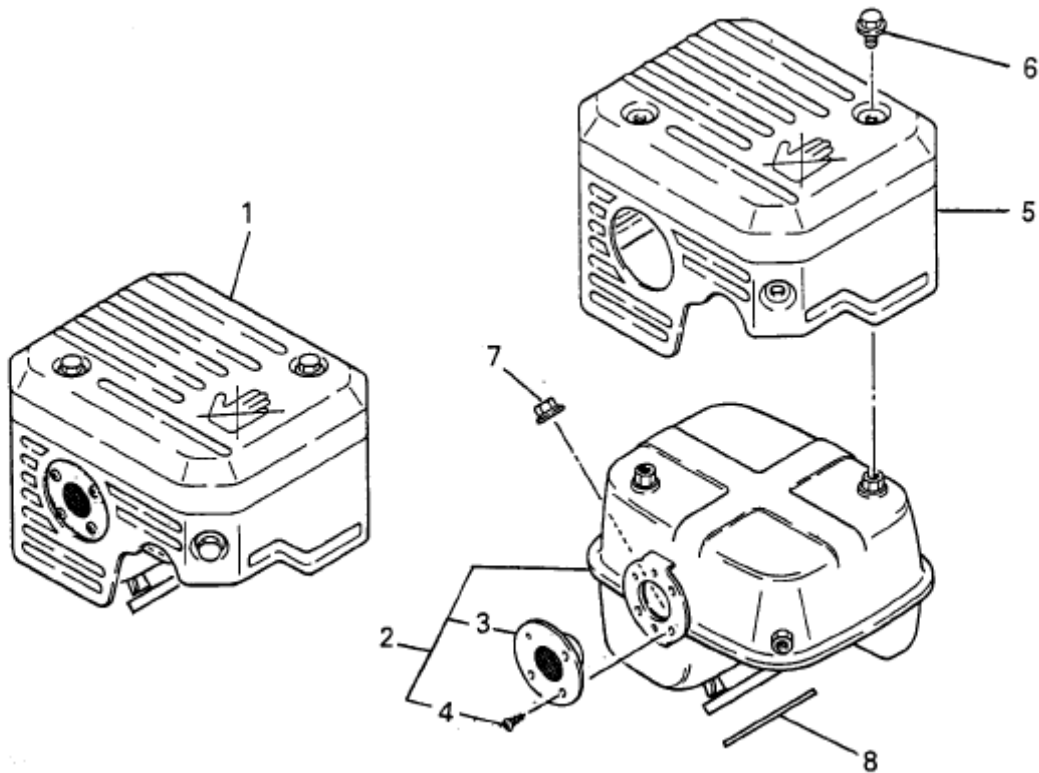
| Number | Part Number  | Parts Name   | Number Required | Remarks       |
|--------|--------------|--------------|-----------------|---------------|
| 1      | KF31018AA    | Cock, Fuel   | 1               | Incl. No. 2-5 |
| 2      | KF31010AA001 | O-Ring       | 1               |               |
| 3      | KF31010AA002 | Cup          | 1               |               |
| 4      | KF31018AA003 | Filter, Fuel | 1               |               |
| 5      | KF31010AA004 | Packing      | 1               |               |
| 6      | KF90105AA    | Spacer       | 1               |               |
| 7      | B800A06X025  | Bolt, Flange | 1               |               |
| 8      | FR53226      | Clip         | 2               |               |
| 9      | FR67419      | Clip         | 1               |               |

## R. RECOIL STARTER GROUP



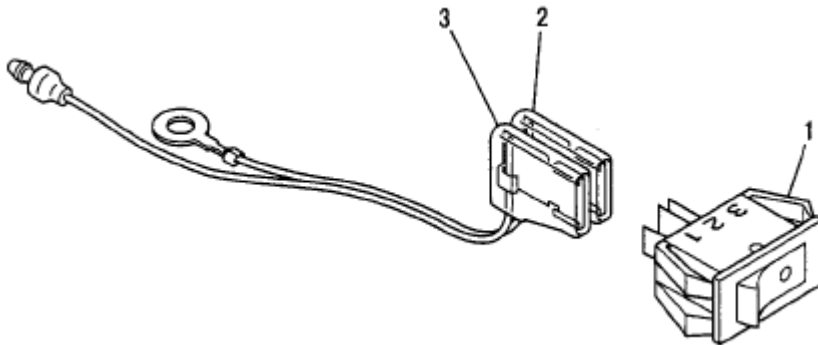
| Number | Part Number  | Parts Name           | Number Required | Remarks        |
|--------|--------------|----------------------|-----------------|----------------|
| 1      | KS02029AD    | Recoil Starter Assy. | 1               | Incl. No. 2-11 |
| 2      | KS20022AD002 | Reel                 | 1               |                |
| 3      | KS20020AD003 | Ratchet              | 2               |                |
| 4      | KS20047AD004 | Guide                | 1               |                |
| 5      | FA28181XX011 | Spring, Spiral       | 1               |                |
| 6      | KS20020AD006 | Spring, Fiction      | 1               |                |
| 7      | KS20020AD007 | Spring, Return       | 2               |                |
| 8      | KS20020AD008 | Screw                | 1               |                |
| 9      | KS20020AD118 | Rope, Starter        | 1               |                |
| 10     | FA28181XX018 | Knob, Starter        | 1               |                |
| 11     | KS30033AA    | Pulley, Starter      | 1               |                |
| 12     | B800A06X008  | Bolt, Flange         | 3               |                |

## S. MUFFLER GROUP



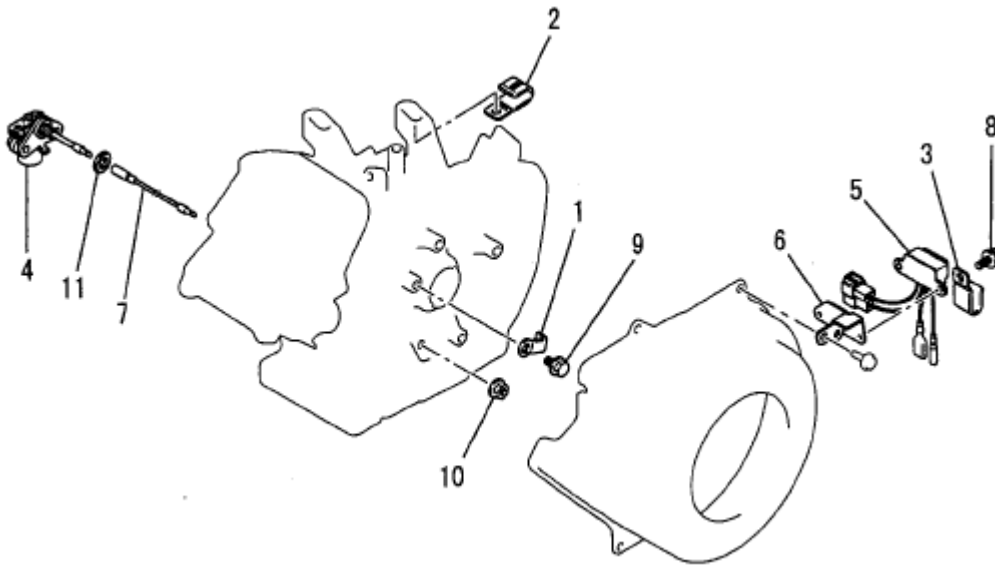
| Number | Part Number  | Parts Name       | Number Required | Remarks        |
|--------|--------------|------------------|-----------------|----------------|
| 1      | KM02081AA    | Muffler Assy.    | 1               | Incl. No. 2-6  |
| 2      | KM15045AA    | Muffler          | 1               | Incl. No. 3, 4 |
| 3      | KM90120AA    | Screen           | 1               |                |
| 4      | W006D04X006K | Screw            | 4               |                |
| 5      | KM25042AA    | Cover, Muffler   | 1               |                |
| 6      | B800A06X008K | Bolt, Flange     | 4               |                |
| 7      | ZZ70028C     | Nut, Conical Spg | 2               |                |
| 8      | KM70031AB    | Gasket, Muffler  | 1               |                |

## U. SWITCH GROUP



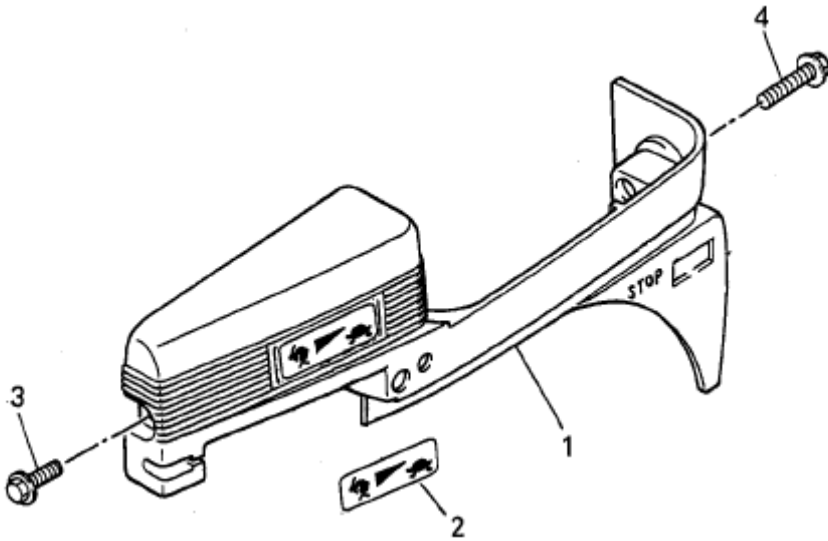
| Number | Part Number | Parts Name   | Number Required | Remarks |
|--------|-------------|--------------|-----------------|---------|
| 1      | KE80014AA   | Switch, Stop | 1               |         |
| 2      | KE90108AA   | Wire, Lead   | 1               |         |
| 3      | KE90110AA   | Wire, Lead   | 1               |         |

## W. OIL SENSOR GROUP



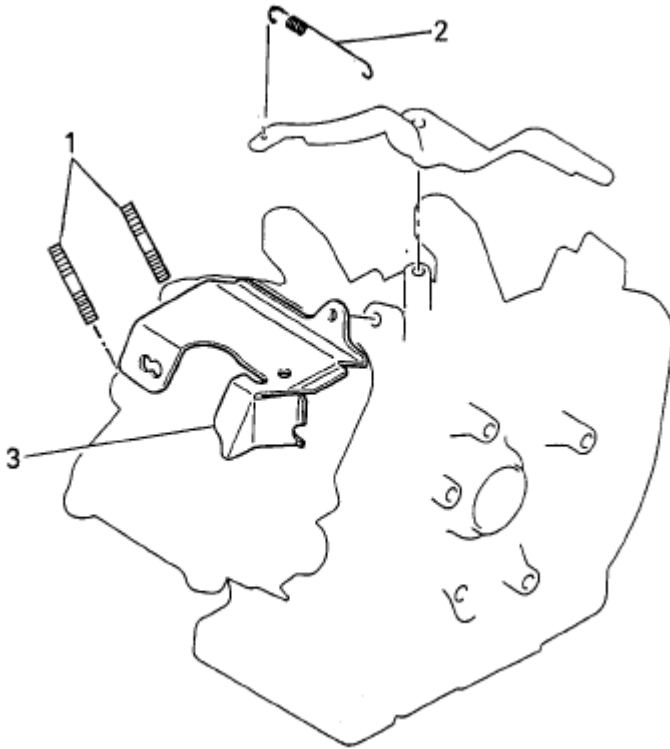
| Number | Part Number | Parts Name       | Number Required | Remarks |
|--------|-------------|------------------|-----------------|---------|
| 1      | FA41303     | Clamp            | 1               |         |
| 2      | FR51895     | Clamp            | 1               |         |
| 3      | FR64917     | Clamp            | 1               |         |
| 4      | KE09021AA   | Sensor, Oil      | 1               |         |
| 5      | KE33005BA   | Unit, Sensor     | 1               |         |
| 6      | KE90097AA   | Bracket, Unit    | 1               |         |
| 7      | KD90102AA   | Wire, Lead       | 1               |         |
| 8      | B070A05X010 | Bolt and Washer  | 2               |         |
| 9      | B805B06X012 | Bolt, Flange     | 1               |         |
| 10     | ZZ70028C    | Nut, Conical Spg | 1               |         |
| 11     | KW39066AA   | Gasket           | 1               |         |

## X. COVER GROUP



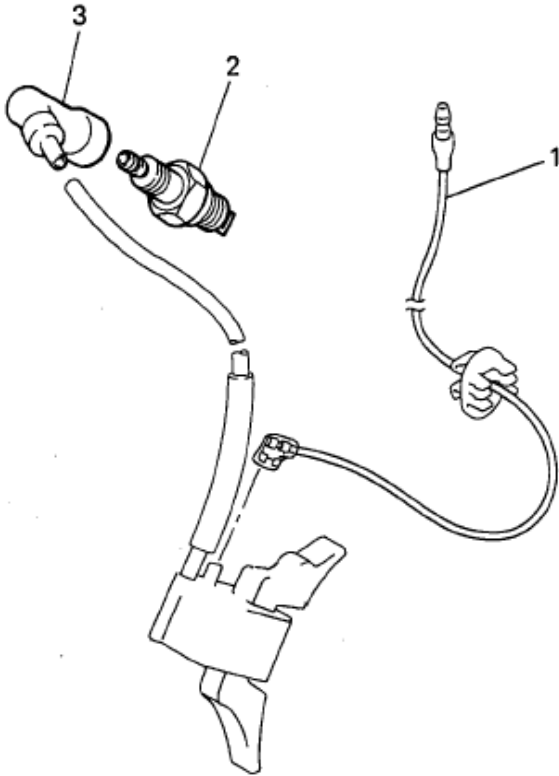
| Number | Part Number | Parts Name   | Number Required | Remarks     |
|--------|-------------|--------------|-----------------|-------------|
| 1      | KR40010CB   | Cover, Front | 1               | Incl. No. 2 |
| 2      | KW56058AA   | Label        | 1               |             |
| 3      | B800A06X020 | Bolt, Flange | 1               |             |
| 4      | B800A06X030 | Bolt, Flange | 1               |             |

## 1. BOLT, SPRING, COVER



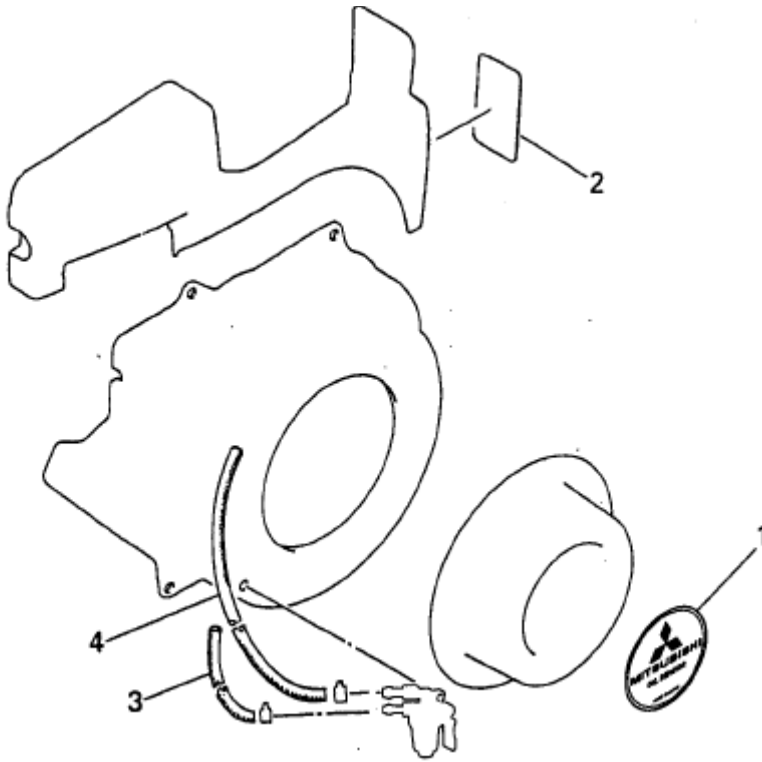
| Number | Part Number | Parts Name  | Number Required | Remarks |
|--------|-------------|-------------|-----------------|---------|
| 1      | B155B08X020 | Bolt, Stud  | 2               |         |
| 2      | KG34007BA   | Spring, Gov | 1               |         |
| 3      | KH40035AA   | Cover, Top  | 1               |         |

## 2. LEAD WIRE, PLUG, CAP



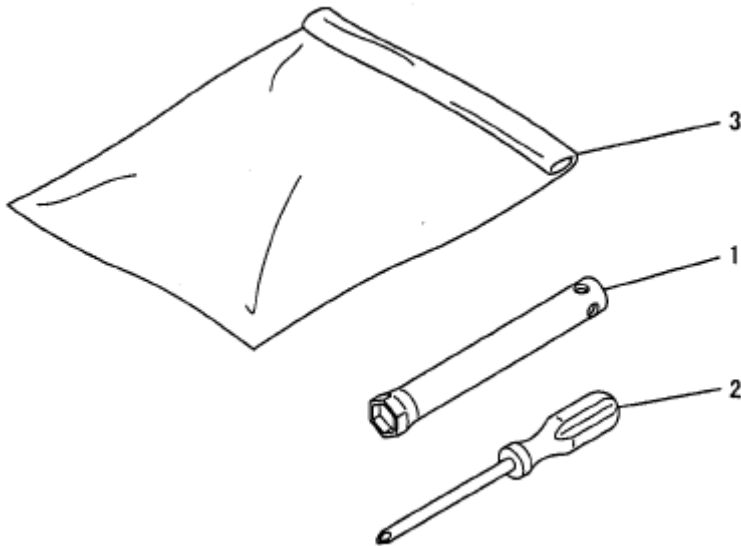
| Number | Part Number | Parts Name  | Number Required | Remarks |
|--------|-------------|-------------|-----------------|---------|
| 1      | KE90101AA   | Wire, Lead  | 1               |         |
| 2      | KE41005AA   | Plug, Spark | 1               | BPR5ES  |
| 3      | KE42027AA   | Cap, Plug   | 1               |         |

### 3. LABEL, FUEL HOSE



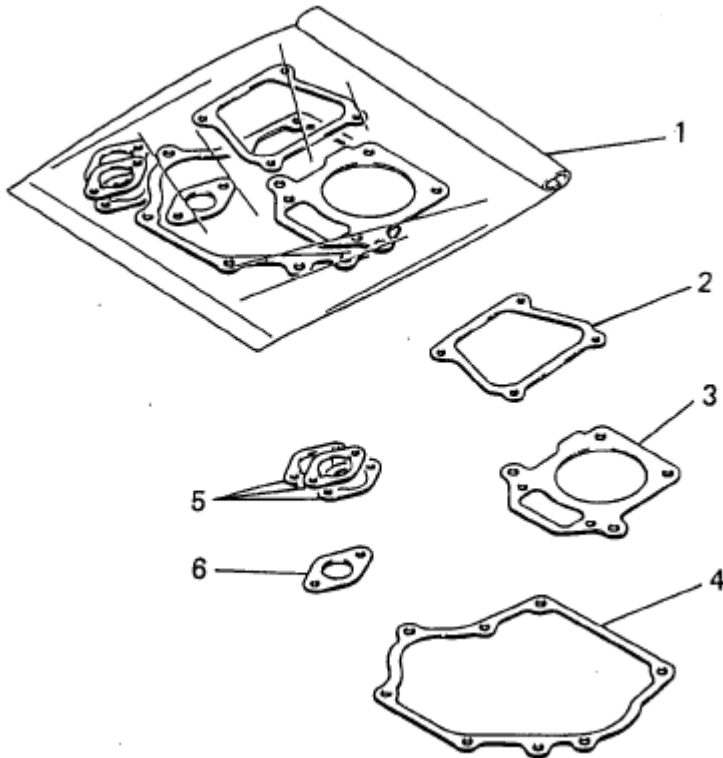
| Number | Part Number | Parts Name  | Number Required | Remarks |
|--------|-------------|-------------|-----------------|---------|
| 1      | KW52185AA   | Label, Name | 1               |         |
| 2      | KW56260BA   | Label       | 1               |         |
| 3      | P051Y04X170 | Hose, Fuel  | 1               |         |
| 4      | P051Y08X370 | Hose, Fuel  | 1               |         |

#### 4. TOOL SET



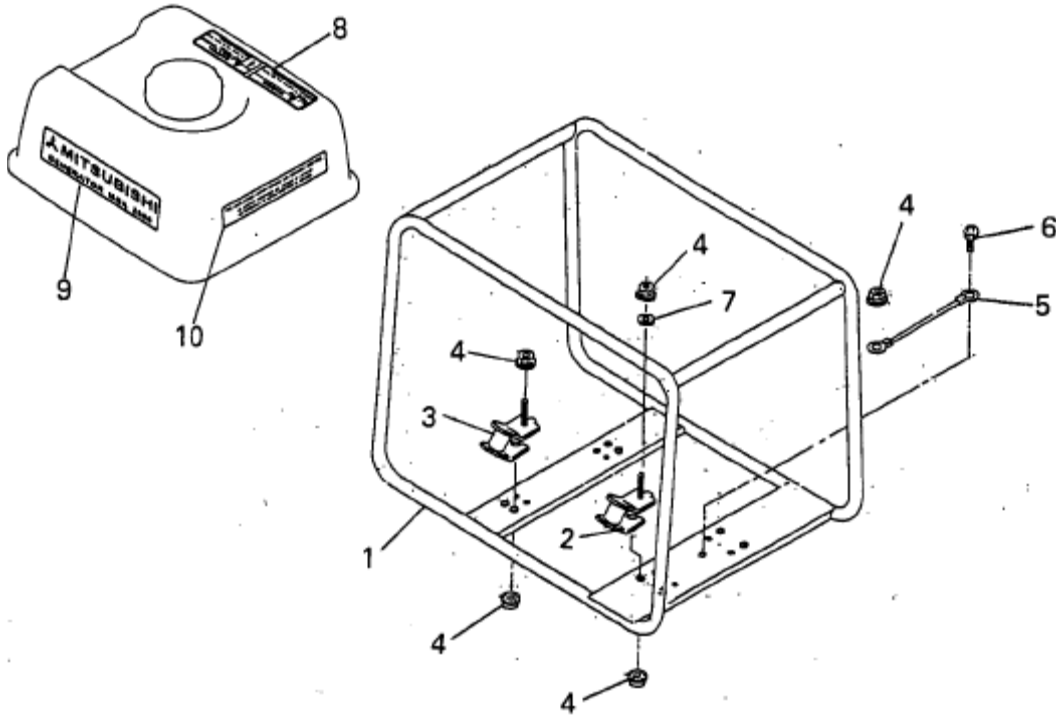
| Number | Part Number | Parts Name    | Number Required | Remarks |
|--------|-------------|---------------|-----------------|---------|
| 1      | KN12004DA   | Spanner, Box  | 1               |         |
| 2      | KN13001AA   | Driver, Screw | 1               |         |
| 3      | FA21533D    | Bag, Tool     | 1               |         |

## 5. GASKET SET



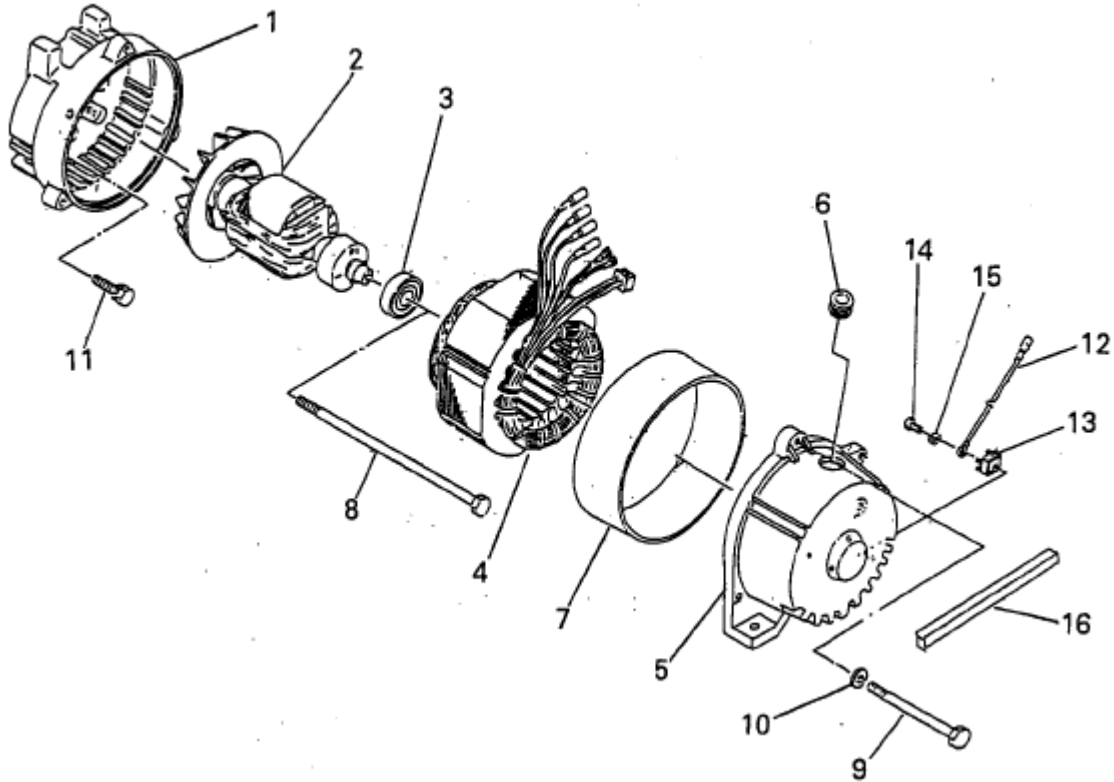
| Number | Part Number | Parts Name         | Number Required | Remarks       |
|--------|-------------|--------------------|-----------------|---------------|
| 1      | KW39056BA   | Gasket Set         | 1               | Incl. No. 2-6 |
| 2      | KW33001AB   | Gasket, Head Cover | 1               |               |
| 3      | KC66007AA   | Gasket, Head       | 1               |               |
| 4      | KW3105AA    | Gasket, Crankcase  | 1               |               |
| 5      | KW34029AA   | Gasket, Carburetor | 3               |               |
| 6      | KM70031AB   | Gasket Muffler     | 1               |               |

## 6. FRAME AND TANK



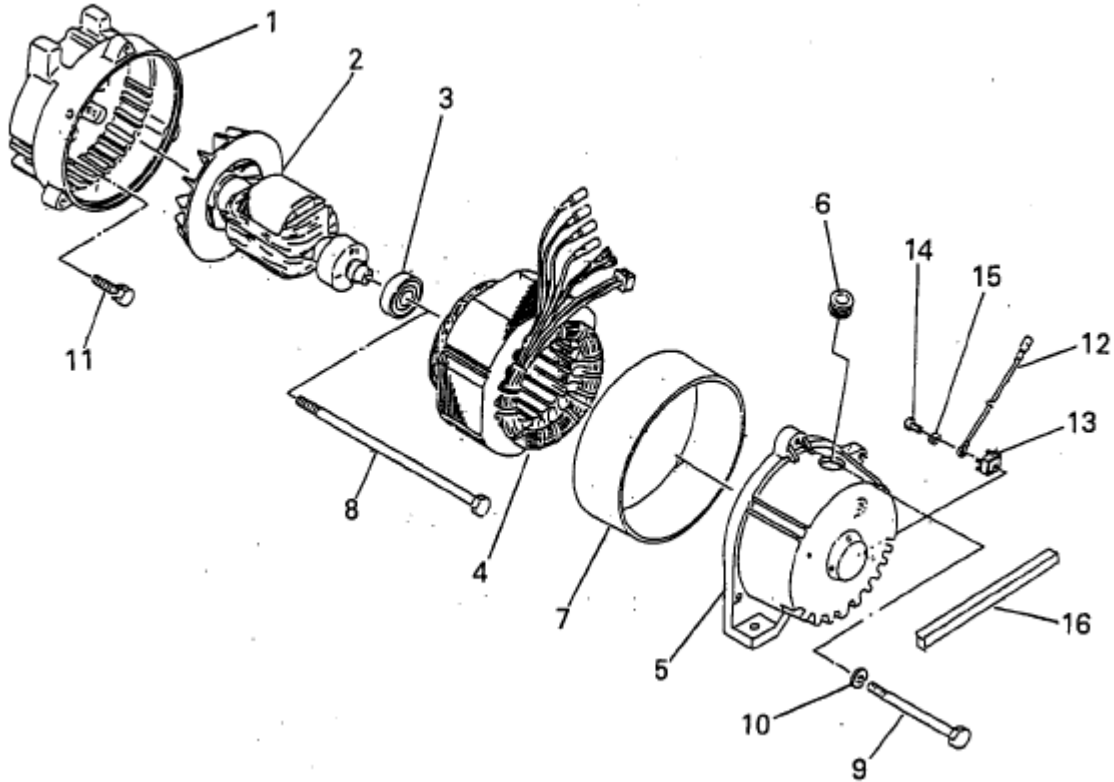
| Number | Part Number  | Parts Name         | Number Required | Remarks |
|--------|--------------|--------------------|-----------------|---------|
| 1      | KYF011002550 | MG Pipeframe UN    | 1               |         |
| 2      | KYG060000482 | MG Rubber Mount UN | 2               |         |
| 3      | KYG060000492 | MG Rubber Mount UN | 2               |         |
| 4      | KY0022008000 | Nut, Flange        | 8               |         |
| 5      | KYF070000450 | MG Earth Wire      | 1               |         |
| 6      | KY0011305008 | Screw and Washer   | 1               |         |
| 7      | KY0030008000 | Washer             | 1               |         |
| 8      | KYT020001730 | MG Label, Caution  | 1               |         |
| 9      | KYC011400620 | MG Label Caution   | 1               |         |
| 10     | KYT020002230 | Label              | 1               |         |

## 7. GENERATOR



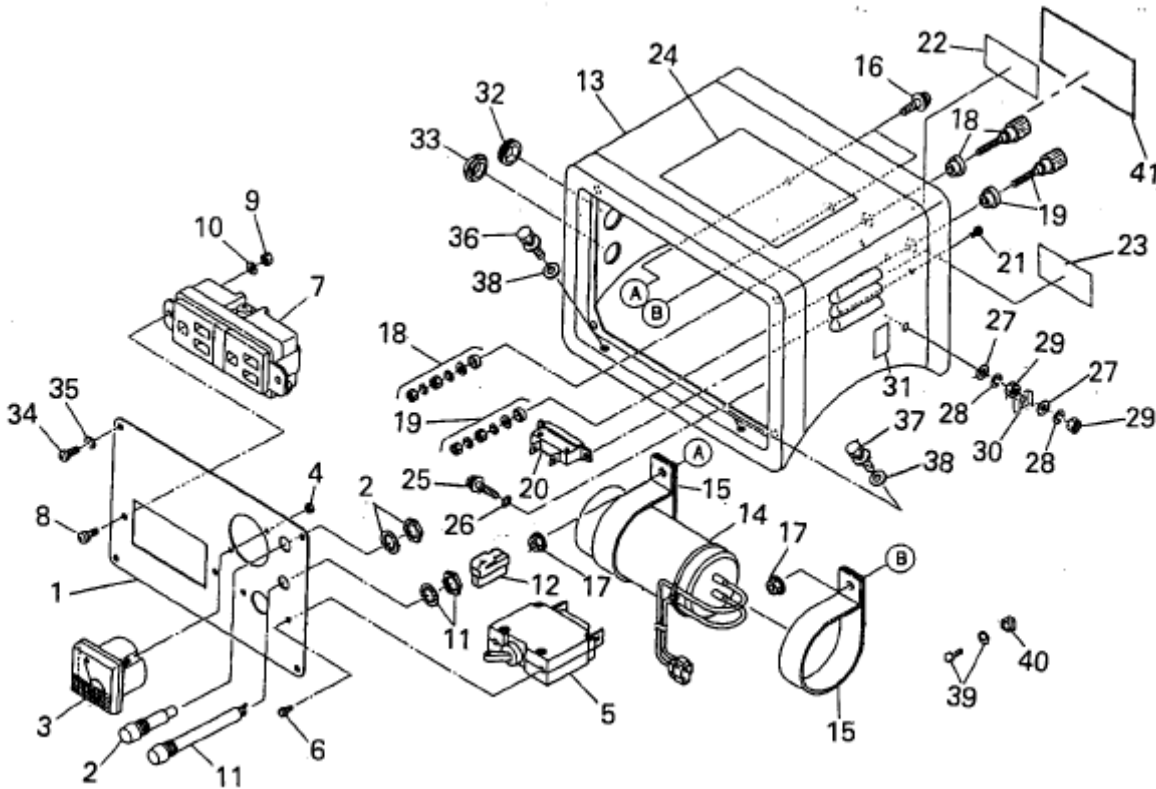
| Number | Part Number  | Parts Name        | Number Required | Remarks |
|--------|--------------|-------------------|-----------------|---------|
| 1      | KYG010000810 | MG Bracket, Front | 1               |         |
| 2      | KYG020002060 | MG Rotor          | 1               |         |
| 3      | KY0006203ZZ0 | Bearing, Ball     | 1               |         |
| 4      | KYG040008731 | MG Stator CP      | 1               |         |
| 5      | KYG080000860 | MG Rear Cover     | 1               |         |
| 6      | KYC180000010 | Grommet           | 1               |         |
| 7      | KYG120001301 | Cover             | 1               |         |
| 8      | KY0013508235 | Bolt              | 1               |         |
| 9      | KY0012506100 | Bolt              | 3               |         |
| 10     | KY0030306000 | Washer, Spg       | 3               |         |
| 11     | KY0013708020 | MG Bolt           | 4               |         |
| 12     | KYF070000460 | MG Earth Wire     | 1               |         |

## 7. GENERATOR



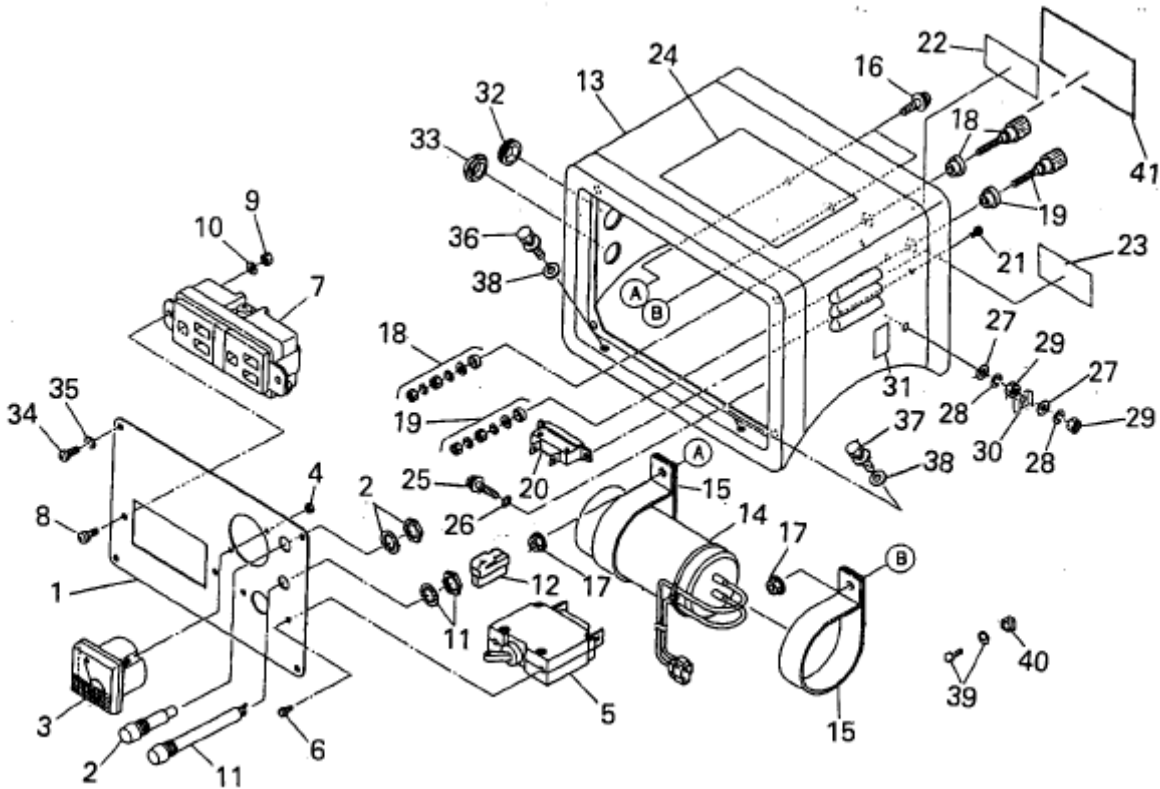
| Number | Part Number  | Parts Name     | Number Required | Remarks |
|--------|--------------|----------------|-----------------|---------|
| 13     | KY015S15VB20 | MG Diode Stack | 1               |         |
| 14     | KY0011203020 | MG Bolt        | 1               |         |
| 15     | KY0030003000 | Washer         | 1               |         |
| 16     | KYN120000150 | MG Plate       | 1               |         |

## 8. CONTROL BOX



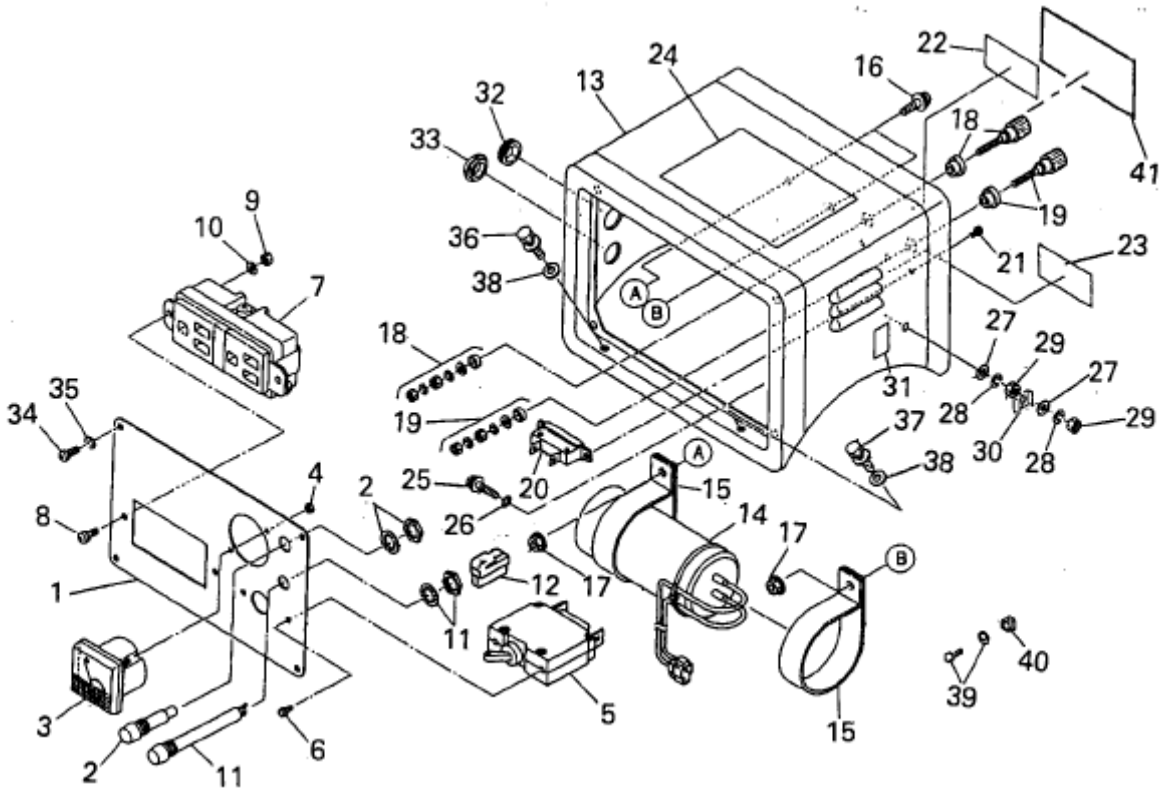
| Number | Part Number  | Parts Name       | Number Required | Remarks |
|--------|--------------|------------------|-----------------|---------|
| 1      | KYC011018440 | MG Panel A       | 1               |         |
| 2      | KY01403120R0 | MG Lamp          | 1               |         |
| 3      | KY00412120A1 | MG Volt Meter    | 1               |         |
| 4      | KY0021903000 | Nut              | 2               |         |
| 5      | KY0080034013 | MG Breaker       | 1               |         |
| 6      | KY0013303005 | MG Screw         | 2               |         |
| 7      | KY0067203120 | MG Receptacle    | 1               |         |
| 8      | KY0013304010 | Screw and Washer | 1               |         |
| 9      | KY0020004000 | MG Nut           | 2               |         |
| 10     | KY0030004000 | MG Nut           | 2               |         |
| 11     | KY035000303R | MG LED CP        | 2               |         |
| 12     | KY01001020F0 | MG Coupler       | 1               |         |

## 8. CONTROL BOX



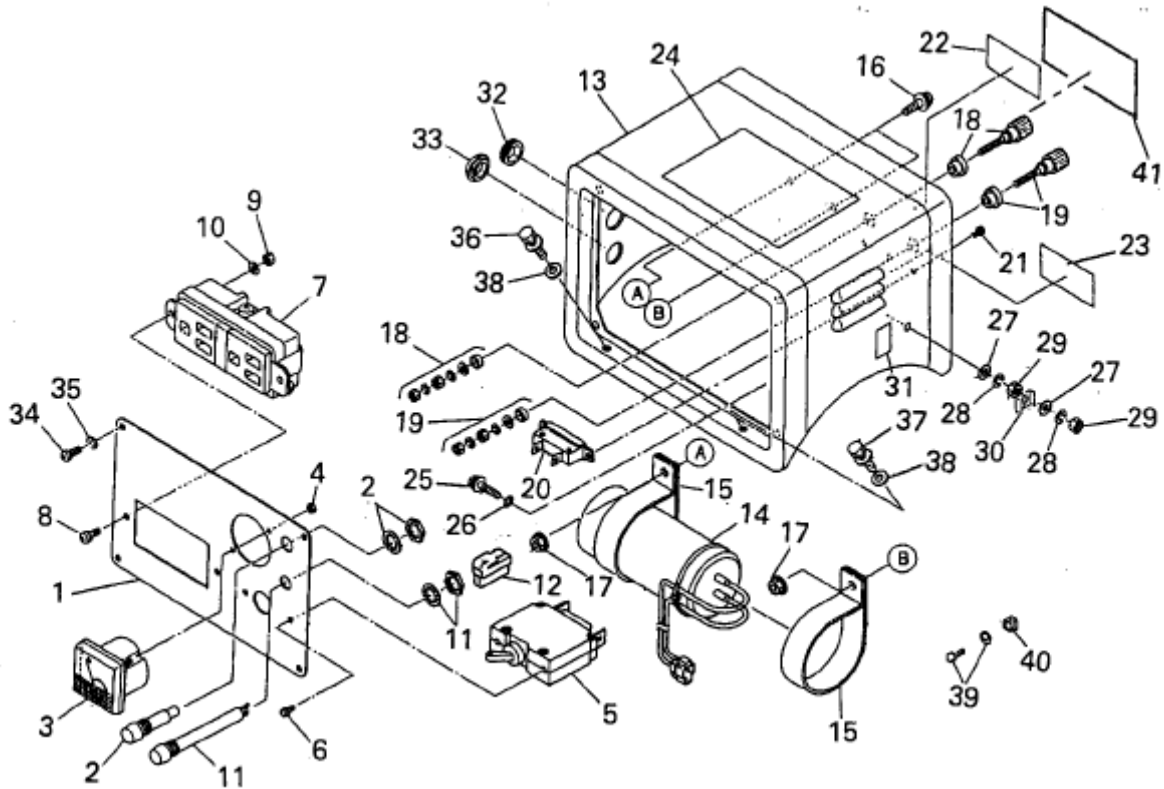
| Number | Part Number  | Parts Name           | Number Required | Remarks |
|--------|--------------|----------------------|-----------------|---------|
| 13     | KYC021103732 | MG Control Box UN    | 1               |         |
| 14     | KYC220000590 | MG Condenser         | 1               |         |
| 15     | KYC222000010 | MG Condenser Bracket | 2               |         |
| 16     | KY0012004015 | MG Screw             | 2               |         |
| 17     | KY0020004000 | MG Nut               | 2               |         |
| 18     | KY009211202R | Terminal Assy.       | 1               |         |
| 19     | KY009211202B | Terminal Assy.       | 1               |         |
| 20     | KY0080052010 | MG Circuit Protector | 1               |         |
| 21     | KY0011203005 | MG Screw             | 2               |         |
| 22     | KYC081000110 | MG Label             | 1               |         |
| 23     | KYC061000140 | MG Label             | 1               |         |
| 24     | KYT020001740 | Label, Caution       | 1               |         |

## 8. CONTROL BOX



| Number | Part Number  | Parts Name     | Number Required | Remarks |
|--------|--------------|----------------|-----------------|---------|
| 25     | KY0010205025 | MG Screw       | 1               |         |
| 26     | KY0031205000 | MG Washer, Spg | 1               |         |
| 27     | KY0030105000 | MG Washer      | 2               |         |
| 28     | KY0030405000 | Washer, Spg    | 2               |         |
| 29     | KY0021905000 | MG Nut         | 2               |         |
| 30     | KU33008AA    | Washer         | 1               |         |
| 31     | KW56170BA    | Label          | 1               |         |
| 32     | KY0321161109 | MG Grommet     | 1               |         |
| 33     | KY0200000000 | Brush          | 1               |         |
| 34     | KY0013304010 | Screw & Washer | 4               |         |
| 35     | KY0031104000 | MG Washer      | 2               |         |
| 36     | KY0013605012 | MG Bolt        | 2               |         |

## 8. CONTROL BOX



| Number | Part Number  | Parts Name     | Number Required | Remarks |
|--------|--------------|----------------|-----------------|---------|
| 37     | KY0013605020 | MG Bolt        | 2               |         |
| 38     | KY0030005000 | Washer         | 4               |         |
| 39     | KY0015805010 | MG Bolt        | 2               |         |
| 40     | KY0021905000 | MG Nut         | 2               |         |
| 41     | KYB12M030830 | MG Label, Spec | 1               |         |