

MGE Series Generators

Model

MGE5800REC

Parts Breakdown

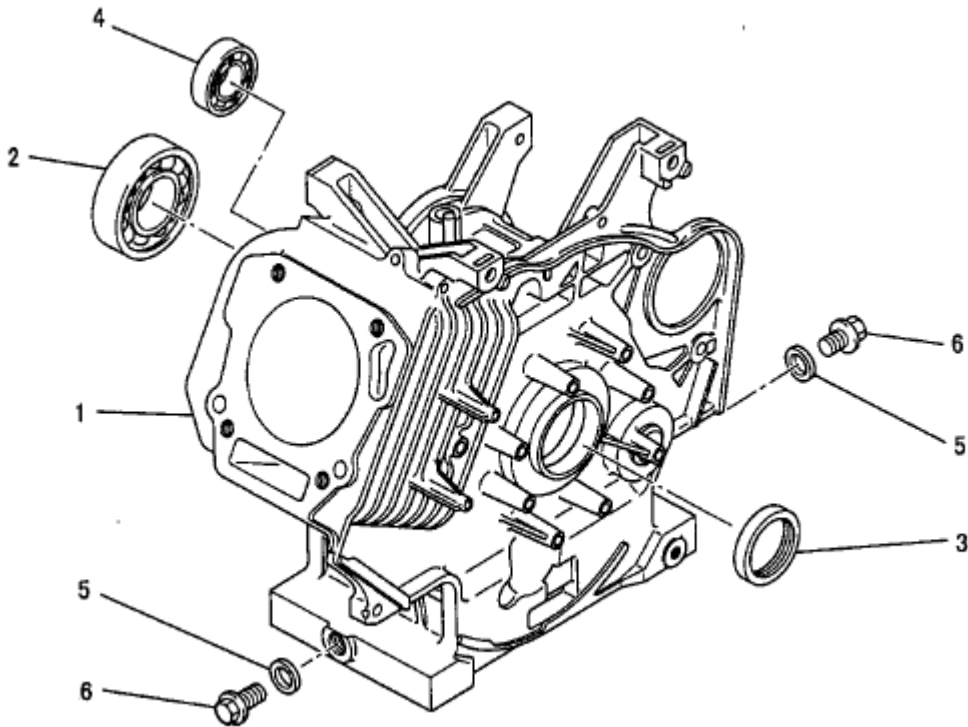
Remarks on Parts Catalog

1. This parts catalog contains all parts for the MITSUBISHI GENERATOR "MGE5800-REC."
2. The figures in drawings are the index number of the parts.
3. When ordering parts, please clarify the part number and name or engine model name and give to your dealer.
4. Please note that part numbers may be changed periodically without notice.

Table of Contents**Page**

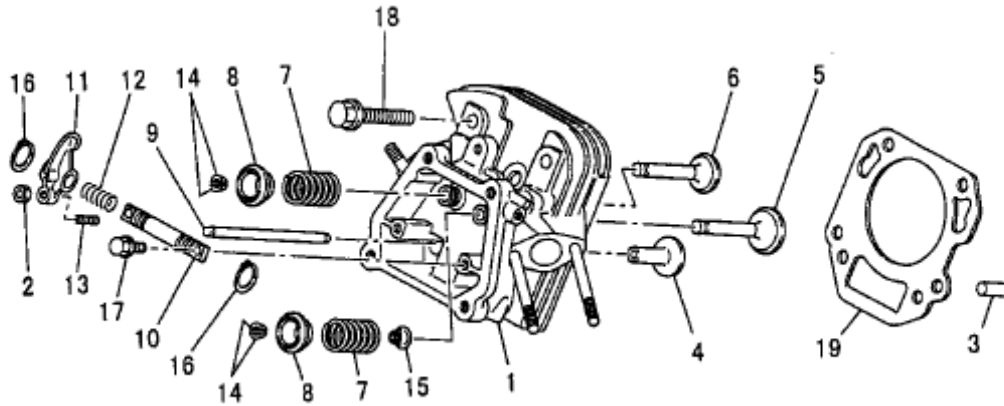
A. Cylinder Block Group	4
B. Cylinder Head Group	5, 6
C. Head Cover Group	7
D. Case Cover Group	8, 9
E. Crankshaft Group	10
F. Piston and Rod Group	11
G. Magnet Group	12
H. Air Cleaner Group	13, 14
I. Carburetor Group	15, 16, 17
J. Control Panel Group	18, 19
K. Fan Cover Group	20
L. Cylinder Cover Group	21
Q. Cell Group	22
R. Recoil Starter Group	23
W. Oil Sensor Group	24
1. Bolt, Clamp Cover, Etc.	25
2. Lead Wire, Plug	26
3. Label, Fuel Hose	27
4. Tool Set, Etc.	28, 29, 30
5. Gasket Set	31
6. Frame and Tank	32, 33
6-3. Battery Kit	34, 35
7. Generator	36, 37
8. Control Box	38, 39, 40, 41

A. CYLINDER BLOCK GROUP



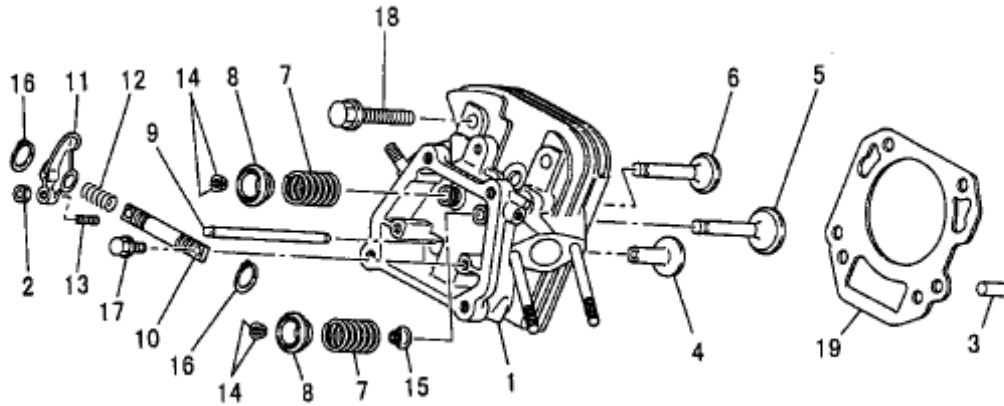
Number	Part Number	Parts Name	Number Required	Remarks
1	KB47001DA	Cylinder Block	1	
2	KW11006AA	Bearing, Ball	1	
3	KW29002AA	Oil Seal	1	
4	S111X62X030	Bearing, Ball	1	#6203
5	ZZ70013A	Gasket	2	
6	FN11223	Plug, Drain	2	

B. CYLINDER HEAD GROUP



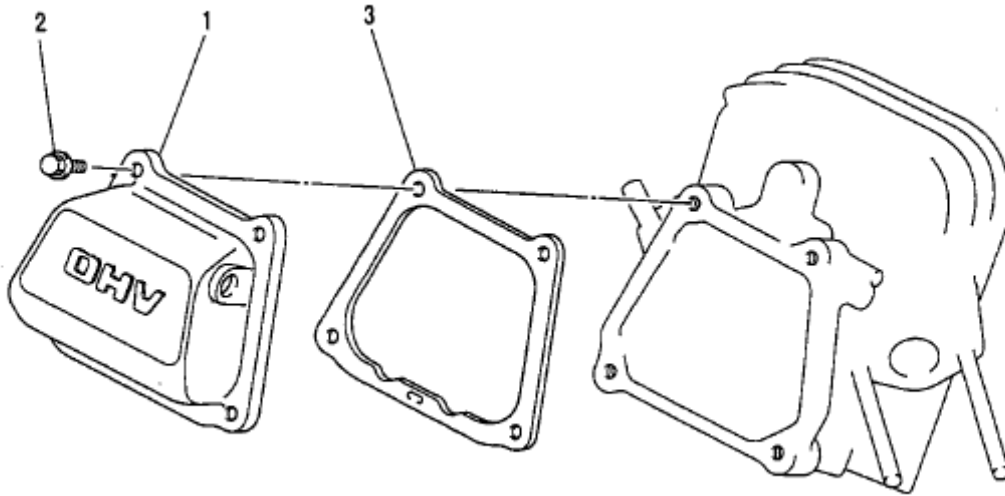
Number	Part Number	Parts Name	Number Required	Remarks
1	KC02033AA	Cylinder Head Assembly	1	With B155B06X095
2	FR46870	Nut	2	
3	KU44001AA	Pin, Dowel	2	
4	KV25001AA	Tappet	2	
5	KV37002AA	Valve, Intake	1	
6	KV45007AA	Valve, Exhaust	1	
7	KV56001AA	Spring, Valve	2	
8	KV68002AA	Retainer, Valve Spring	2	
9	KV71007AA	Rod, Push	2	
10	KV72004AA	Shaft, Rocker Arm	1	
11	KV72005AA	Arm, Rocker	2	
12	KV72006AA	Spring, Rocker Shaft	1	

B. CYLINDER HEAD GROUP



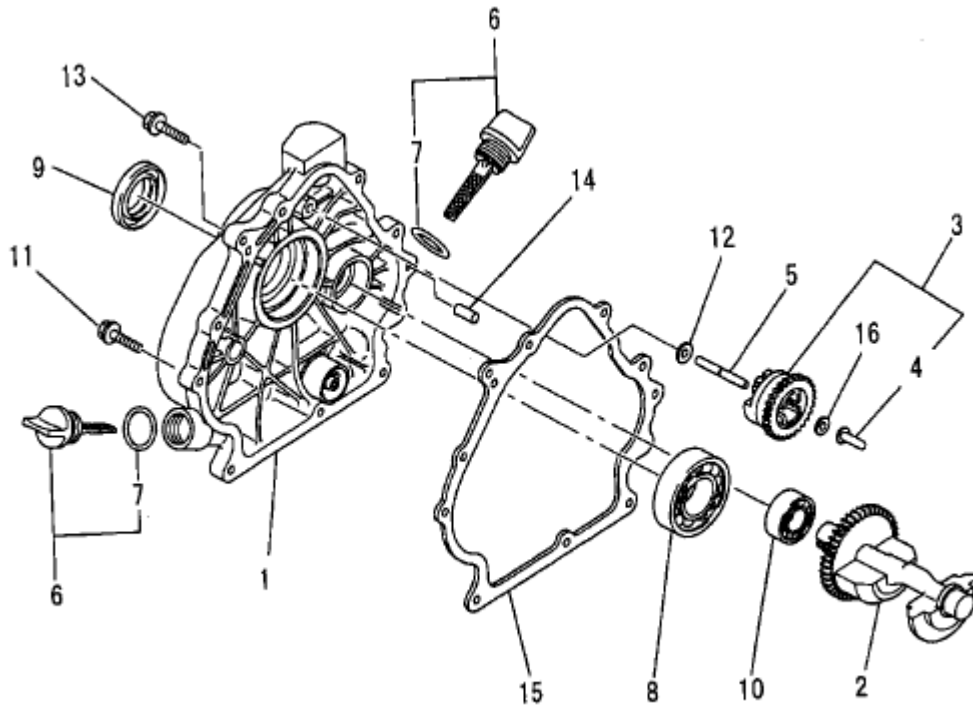
Number	Part Number	Parts Name	Number Required	Remarks
13	KV73003AA	Screw, Adjust	2	
14	KV75007AA	Cotter	4	
15	KW21019AA	Seal, Valve Stem	1	
16	S510P12	Snap Ring	2	
17	B800B06X020	Bolt, Flange	2	
18	B800B10X065	Bolt, Flange	4	
19	KC68001AA	Gasket, Head	1	

C. HEAD COVER GROUP



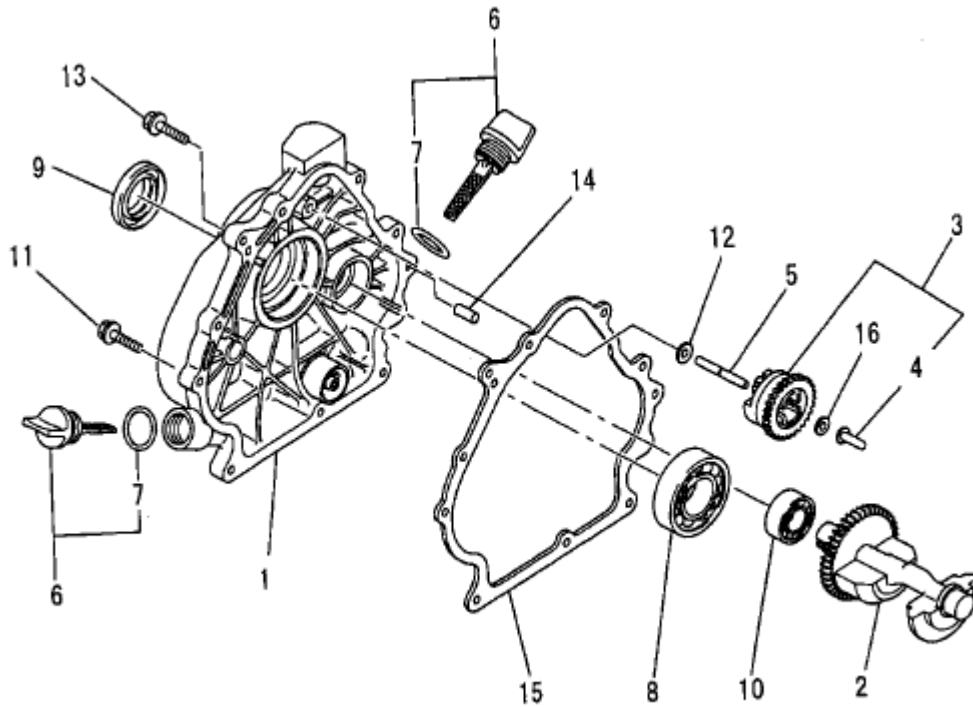
Number	Part Number	Parts Name	Number Required	Remarks
1	KC09004AA	Cover, Head	1	
2	B805B06X012	Bolt, Flange	4	
3	KW33003AA	Gasket, Head Cover	1	

D. CASE COVER GROUP



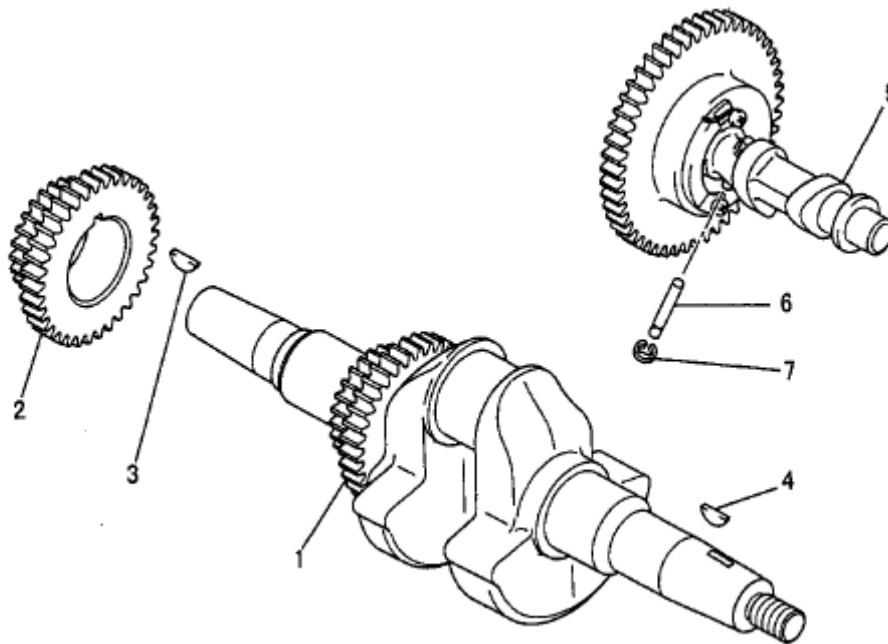
Number	Part Number	Parts Name	Number Required	Remarks
1	KB67001EA	Cover, Crankcase	1	
2	KD51003AA	Shaft, Balancer	1	
3	KG01003CA	Governor Gear Assy.	1	Incl. No. 4
4	KG14004AA	Slider, Gov	1	
5	KG22004AA	Shaft, Gov	1	
6	KL21010EA	Gauge, Oil	2	Incl. No. 7
7	KW29006AA	O-Ring	2	
8	KW11006AA	Bearing, Ball	1	
9	KW29002AA	Oil Seal	1	
10	S111X62X030	Bearing, Ball	1	#6203
11	B800B08X030	Bolt, Flange	8	
12	FA28247	Spacer	1	

D. CASE COVER GROUP



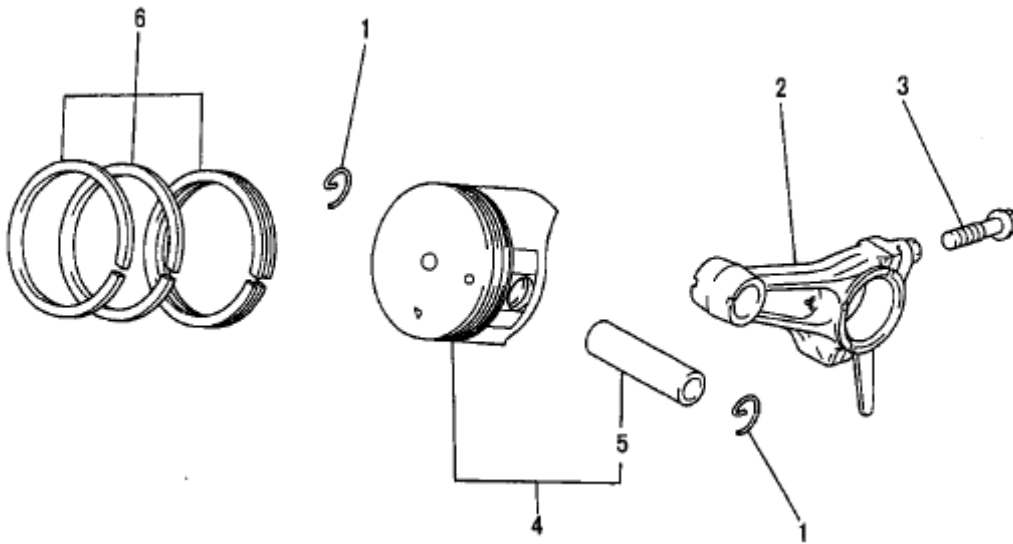
Number	Part Number	Parts Name	Number Required	Remarks
13	KU14031AA	Bolt, Flange	1	
14	KU44001AA	Pin, Dowel	2	
15	KW31010AA	Gasket, Crankcase	1	
16	FR67347A	Washer	1	

E. CRANKSHAFT GROUP



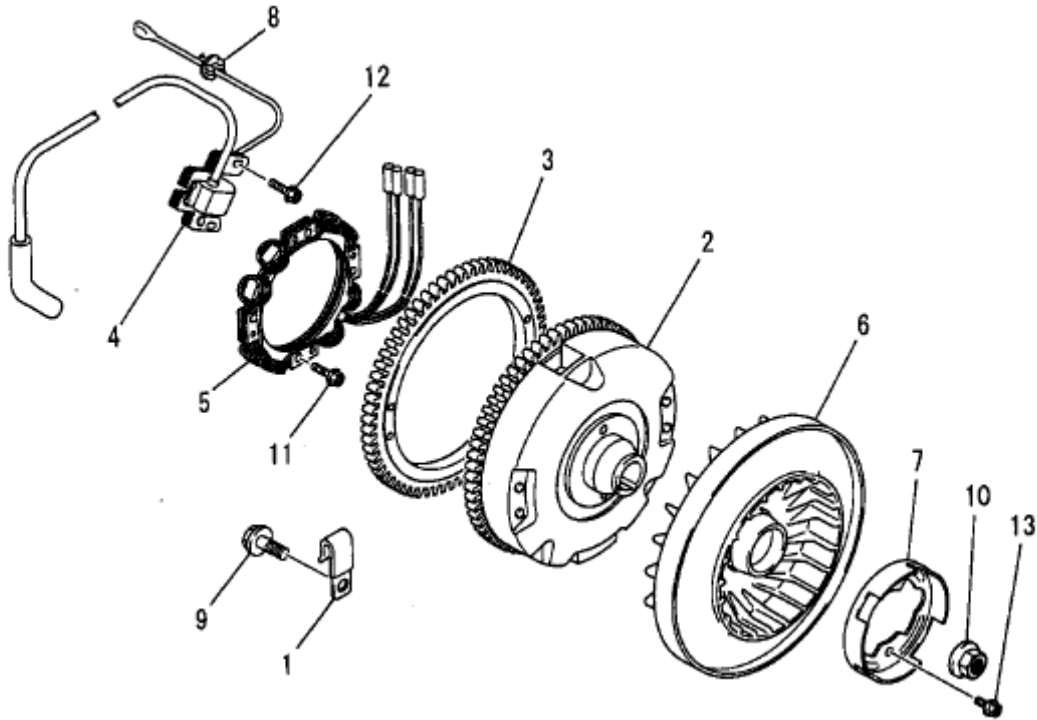
Number	Part Number	Parts Name	Number Required	Remarks
1	KD02058EA	Crankshaft Assy.	1	Incl. No. 2,3
2	KD63042AA	Gear, Crankshaft	1	
3	KD90012AA	Key, Woodruff	1	
4	W430B05X016	Key, Woodruff	1	
5	KV01165AA	Camshaft Assy.	1	Incl. No. 6, 7
6	KV83009FA	Pin	1	
7	S500P03	Snap Ring	1	

F. PISTON AND ROD GROUP



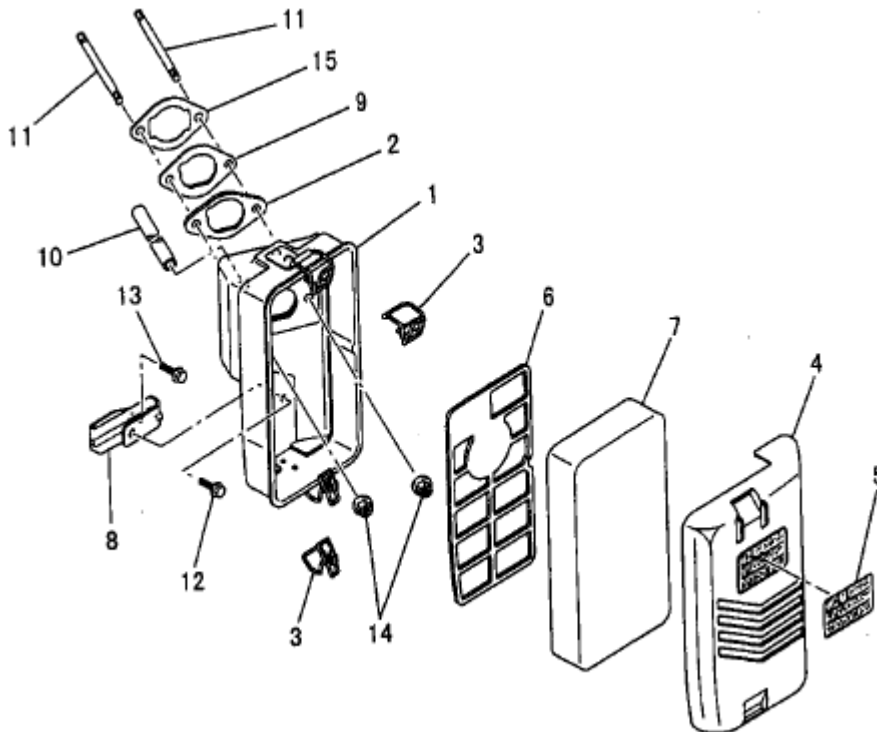
Number	Part Number	Parts Name	Number Required	Remarks
1	KP90001AA	Clip, Piston Pin	2	
2	KD03012AA	Connecting Rod Assy.	1	Std. Incl. No. 3
2	KD03012BA	Connecting Rod Assy.	1	US 0.25 Incl. No. 3
2	KD03012CA	Connecting Rod Assy.	1	US 0.50 Incl. No. 3
3	KD70001AA	Bolt	2	
4	KP01046GA	Piston Set	1	Std. Incl. No. 5
4	KP01046HA	Piston Set	1	OS 0.25 Incl. No. 5
4	KP01046JA	Piston Set	1	OS 0.50 Incl. No. 5
5	KP58003AA	Pin, Piston	1	
6	KP02012AA	Piston Ring Set	1	Std.
6	KP02012BA	Piston Ring Set	1	OS 0.25
6	KP02012CA	Piston Ring Set	1	OS 0.50

G. MAGNET GROUP



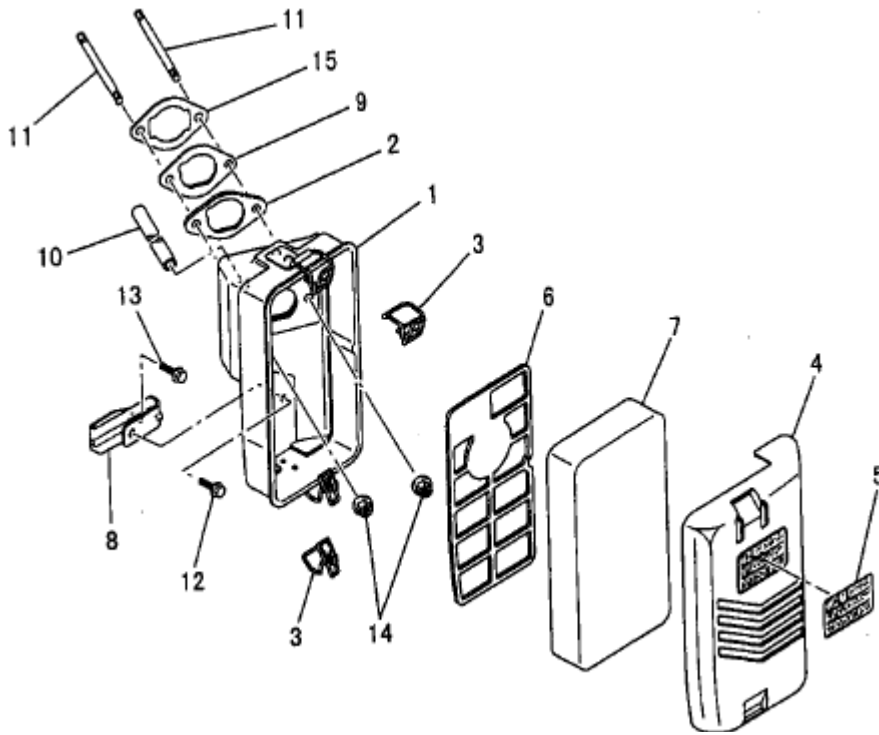
Number	Part Number	Parts Name	Number Required	Remarks
1	FR51895	Clamp	1	
2	KE02078AA	Flywheel Gear Assy.	1	Incl. No. 3
3	KS90027AA	Gear, Ring	1	
4	KE25004AA	Coil, Ignition	1	
5	KE25006AA	Coil, Charge	1	
6	KE90128AA	Fan	1	
7	KE90129AA	Retainer	1	
8	KU70007AA	Clip	1	
9	B805B06X012	Bolt, Flange	1	
10	FA29015	Nut, Flange	1	
11	KU12020AA	Screw	4	
12	KU12046AA	Bolt, Flange	2	
13	KU14036AA	Bolt, Flange	2	

H. AIR CLEANER GROUP



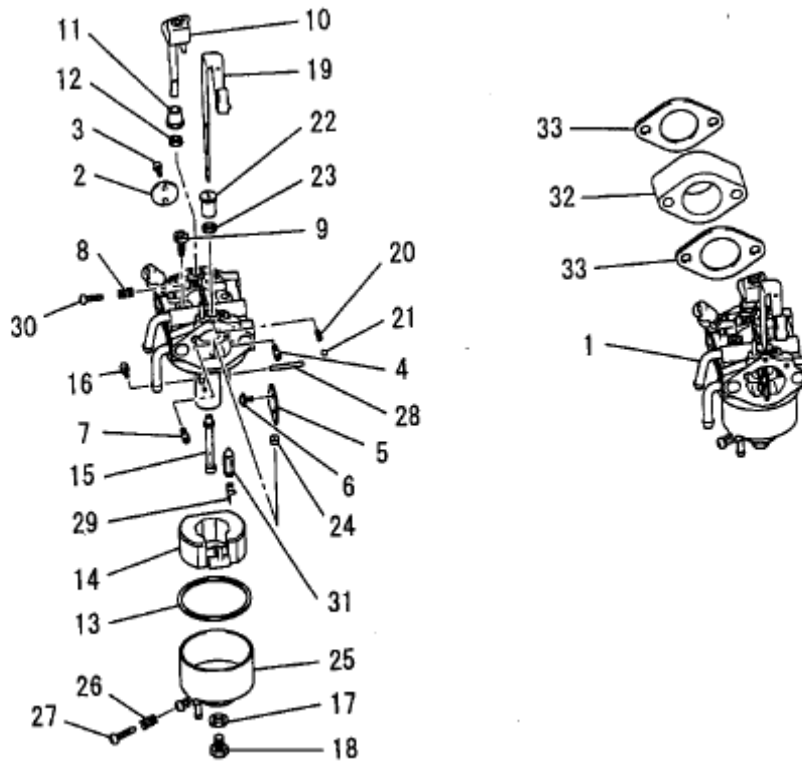
Number	Part Number	Parts Name	Number Required	Remarks
1	KA11019AA	Case, Cleaner	1	Incl. No. 2, 3
2	KA11019AA003	Gasket	1	
3	KA90144AA	Holder	1	
4	KA20045AA	Cover, Cleaner	1	Incl. No. 5
5	FA24115	Label, Instruction	1	
6	KA30016AA	Grid	1	
7	KA40059AA	Element, Cleaner	1	
8	KA90115AA	Bracket	1	
9	KA90121BA	Spacer	1	
10	ZZ70002S	Tube, Breather	1	
11	B155B06X095	Bolt, Stud	2	
12	B800A06X008	Bolt, Flange	1	

H. AIR CLEANER GROUP



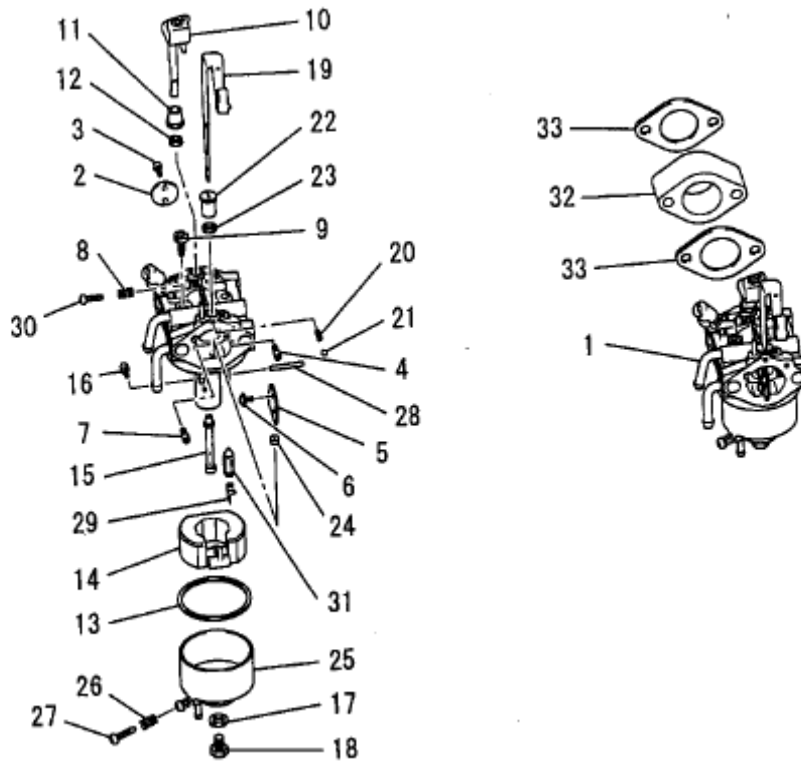
Number	Part Number	Parts Name	Number Required	Remarks
13	B805B06X016	Bolt, Flange	1	
14	N801A06	Nut, Flange	2	
15	KW34055AA	Gasket, Carburetor	1	

I. CARBURETOR GROUP



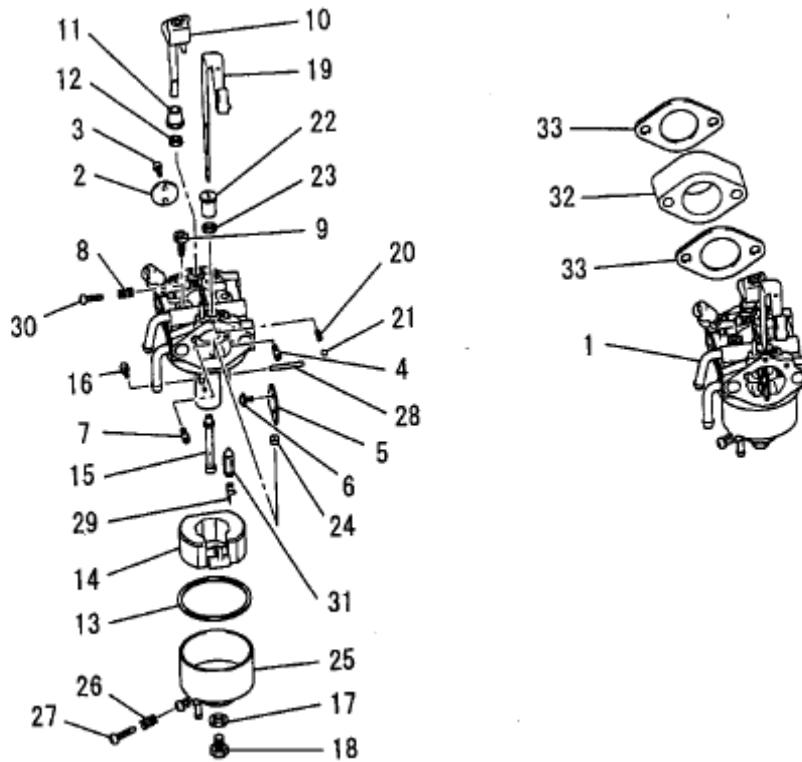
Number	Part Number	Parts Name	Number Required	Remarks
1	KK16009BB	Carburetor (F)	1	Incl. No. 2-31
2	KK16009AA002	Valve, Throttle	1	
3	KK16009AA003	Screw	2	
4	KK15001AA026	Jet	1	
5	KK16009AA005	Valve, Choke	1	
6	KK13012AA005	Screw	2	
7	KK16009AA007	Jet	1	
8	FA27080XX003	Spring	1	
9	KK74508BC425	Jet, Pilot	1	
10	KK16009AA011	Shaft, Throttle	1	
11	KK16009AA012	Ring	1	
12	KK12008AE016	Seal	1	

I. CARBURETOR GROUP



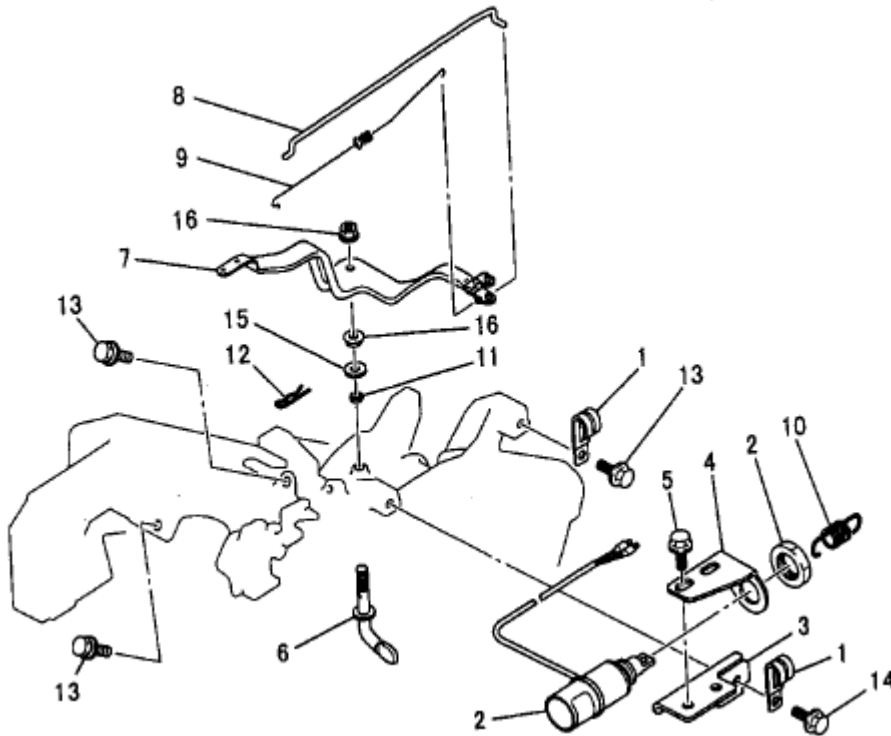
Number	Part Number	Parts Name	Number Required	Remarks
13	KK15003AE014	Packing	1	
14	KK15003AE015	Float	1	
15	KK74524BA027	Nozzle, Main	1	
16	KK74525CA075	Jet, Main	1	
17	KK15003AE018	Packing	1	
18	KK16009AA019	Bolt	1	
19	KK16009AB020	Lever, Choke	1	
20	FR45930XX015	Spring	1	
21	FR45930XX016	Ball, Steel	1	
22	KK13002AA017	Ring	1	
23	KK13002AA028	Felt	1	
24	KK15003AE024	Ring	1	

I. CARBURETOR GROUP



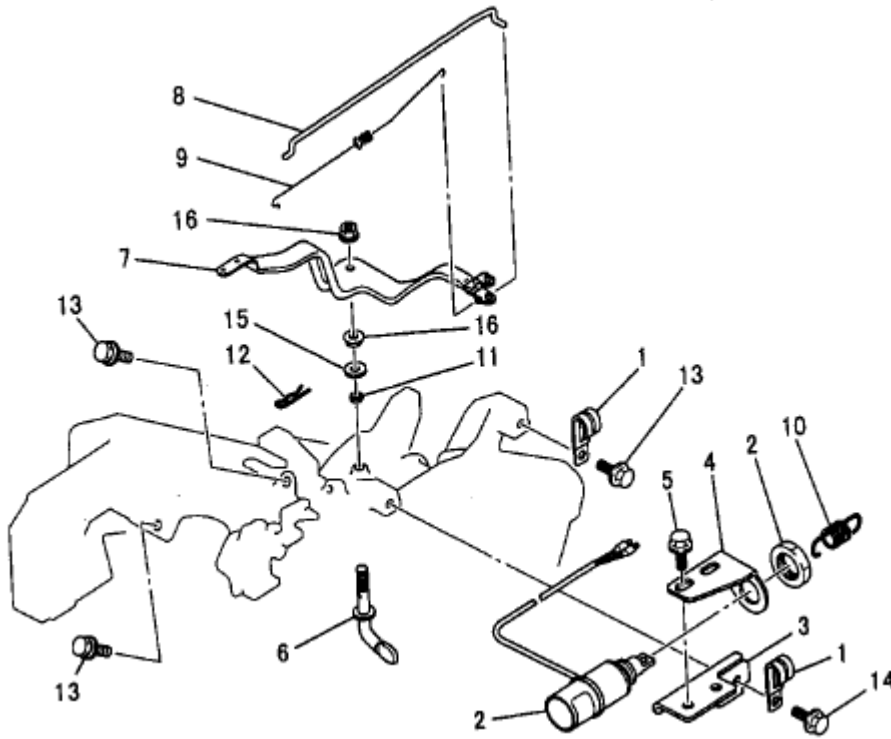
Number	Part Number	Parts Name	Number Required	Remarks
25	KK15005DA025	Chamber, Float	1	Incl. No. 26, 27
26	FA27080XX003	Spring	1	
27	KK15001AA018	Screw	1	
28	KK15003AE027	Pin	1	
29	KK12008AE011	Clip	1	
30	KK16009AA030	Screw	1	
31	KK15003AE026	Valve, Needle	1	
32	KK34001BA	Insulator	1	
33	KW34052AA	Gasket, Carburetor	2	

J. CONTROL PANEL GROUP



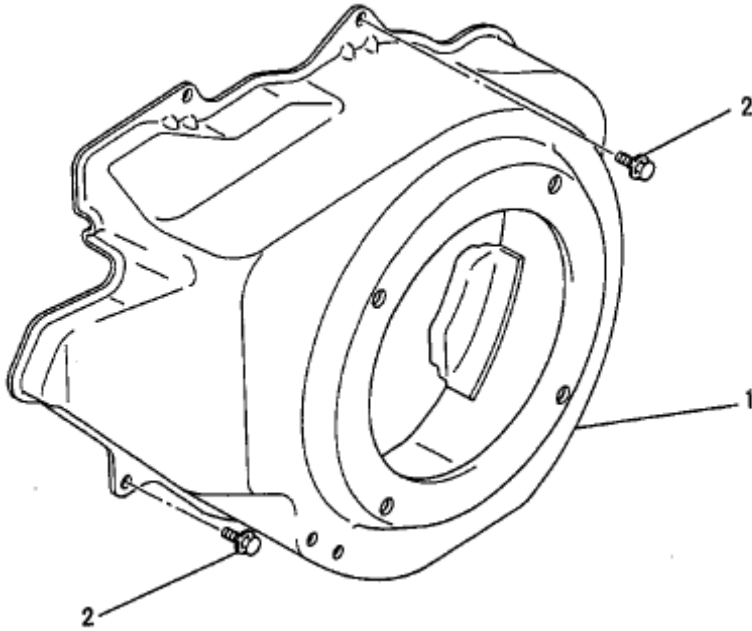
Number	Part Number	Parts Name	Number Required	Remarks
1	FR64917A	Clamp	2	
2	KE09025CA	Solenoid	1	
3	KE90166AA	Plate	1	
4	KE90167BA	Plate	1	
5	B800A06X012	Bolt, Flange	2	
6	KG22009AA	Shaft, Gov	1	
7	KG31017BA	Lever, Gov	1	
8	KG41017AA	Rod, Gov	1	
9	KG42013AA	Spring, Rod	1	
10	KG42015AA	Spring	1	
11	KG90016AA	Seal, Dust	1	
12	KU70006AA	Clip	1	

J. CONTROL PANEL GROUP



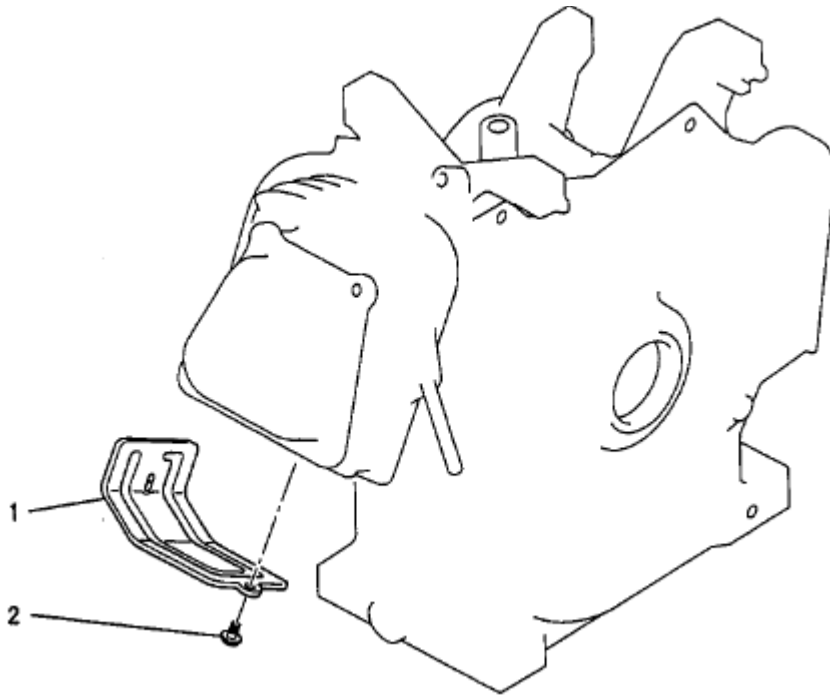
Number	Part Number	Parts Name	Number Required	Remarks
13	B805B06X012	Bolt, Flange	3	
14	B805B06X016	Bolt, Flange	1	
15	KG90015AA	Washer	1	
16	KU24002AA	Nut	2	

K. FAN COVER GROUP



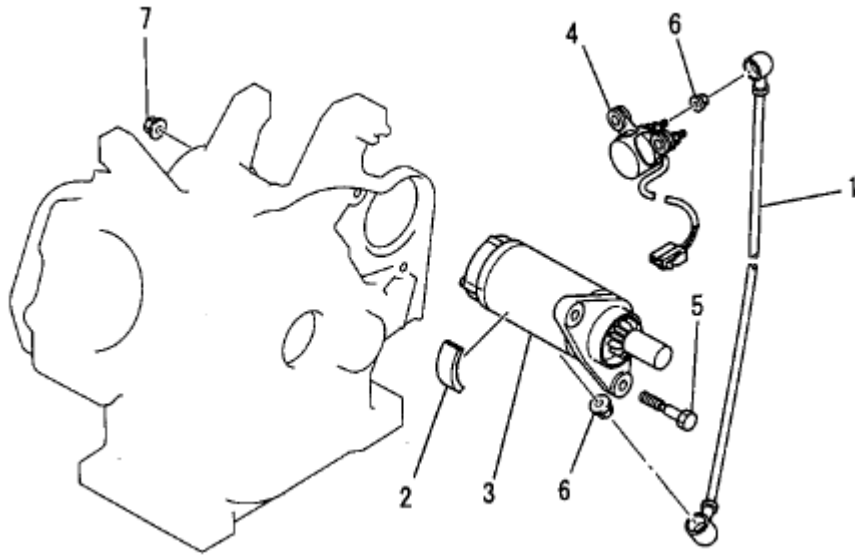
Number	Part Number	Parts Name	Number Required	Remarks
1	KH28009AA	Cover, Fan	1	
2	B805B06X012	Bolt, Flange	4	

L. CYLINDER COVER GROUP



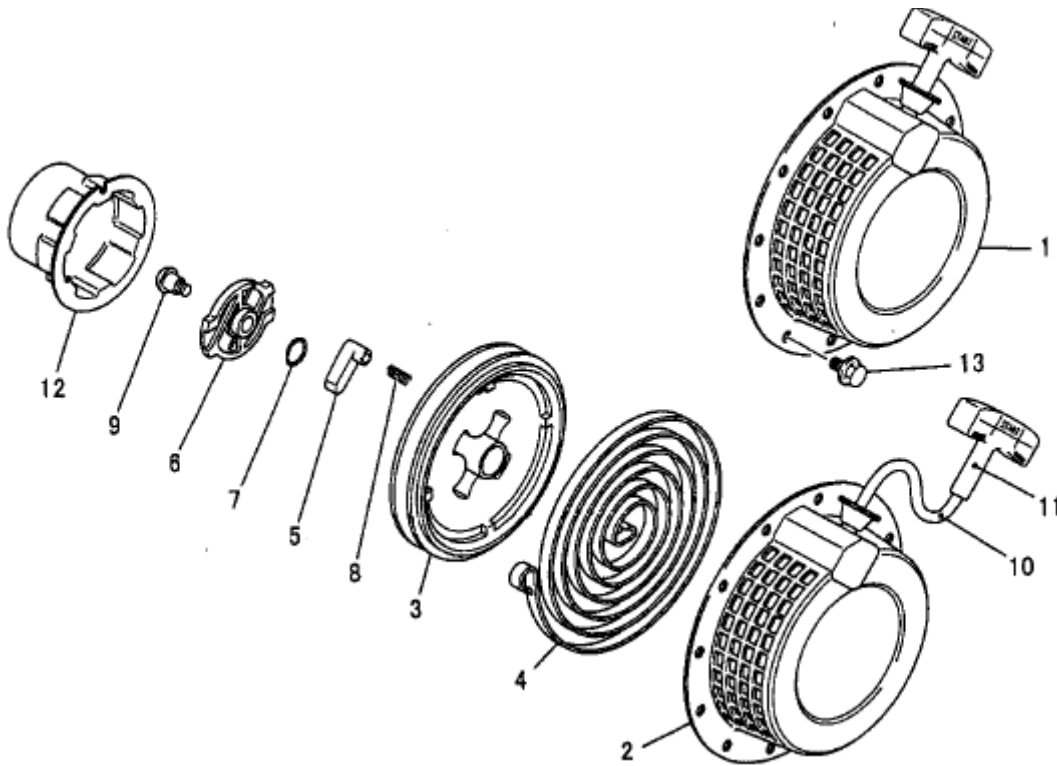
Number	Part Number	Parts Name	Number Required	Remarks
1	KH40020AA	Cover, Cylinder	1	
2	B805B06X012	Bolt, Flange	2	

Q. Cell Group



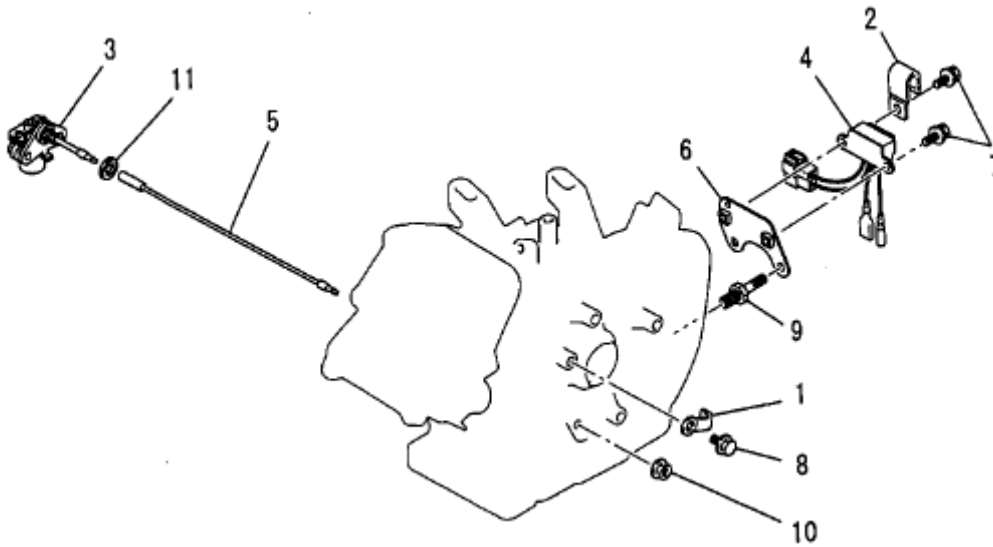
Number	Part Number	Parts Name	Number Required	Remarks
1	KE90157AA	Wire, Lead	1	
2	KE90203AA	Seat, Rubber	2	
3	KS11011AA	Motor, Starting	1	
4	KS11012AA022	Starter Relay Assy.	1	
5	FA28198	Bolt, Reamer	2	
6	N801A06	Nut, Flange	3	
7	N801A08	Nut, Flange	2	

R. RECOIL STARTER GROUP



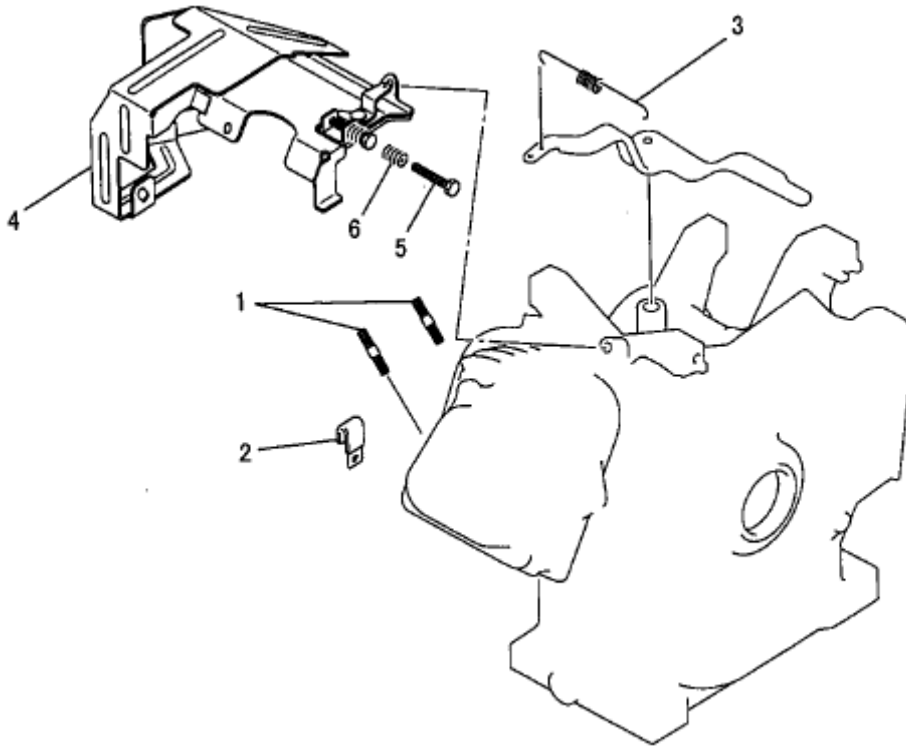
Number	Part Number	Parts Name	Number Required	Remarks
1	KS02056AD	Recoil Starter Assy	1	Incl. No. 2-12
2	KS20061AD001	Case, Starter	1	
3	KS20060AD002	Reel	1	
4	KS20060AD003	Spring, Spiral	1	
5	KS20060AD004	Ratchet	2	
6	KS20061AD005	Guide	1	
7	KS20060AD006	Spring, Friction	1	
8	KS20020AD007	Spring, Return	2	
9	KS20020AD008	Screw	1	
10	KS20035AD013	Rope, Starter	1	
11	KS20060AD014	Knob, Starter	1	
12	KS30037AA	Pulley, Starter	1	
13	B800A06X008	Bolt, Flange	4	

W. OIL SENSOR GROUP



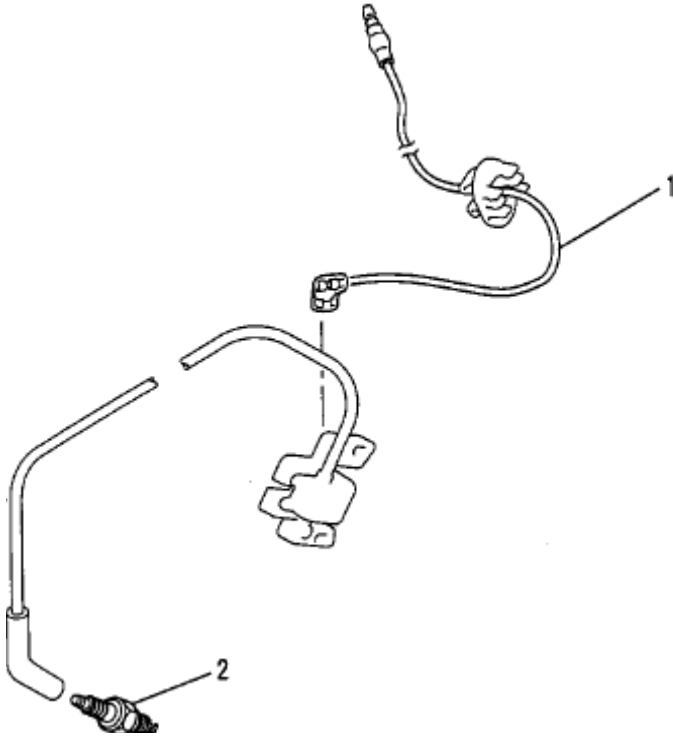
Number	Part Number	Parts Name	Number Required	Remarks
1	FA41303	Clamp	1	
2	FR64917	Clamp	1	
3	KE09021AA	Sensor, Oil	1	
4	KE33005BA	Unit, Sensor	1	
5	KE90102BA	Wire, Lead	1	
6	KE90168BA	Bracket, Unit	1	
7	B070A05X010	Bolt and Washer	2	
8	B805B06X012	Bolt, Flange	1	
9	KU14037AA	Bolt	2	
10	ZZ70028C	Nut, Conical Spg.	1	
11	KW39066AA	Gasket	1	

1. BOLT, CLAMP, COVER ETC.



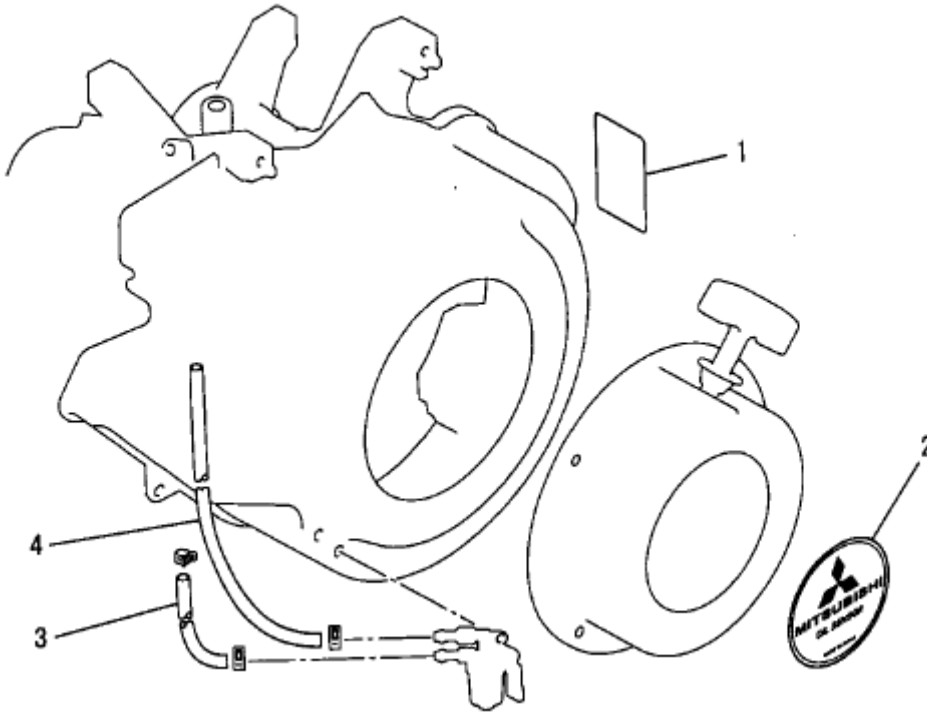
Number	Part Number	Parts Name	Number Required	Remarks
1	B155B08X020	Bolt, Stud	2	
2	FR56780	Clamp	1	
3	KG34017HA	Spring, Gov	1	
4	KH40051AA	Cover, Top	1	Incl. No. 5, 6
5	KU14032AA	Bolt	1	
6	KU80017AA	Spring	1	

2. LEAD WIRE, PLUG



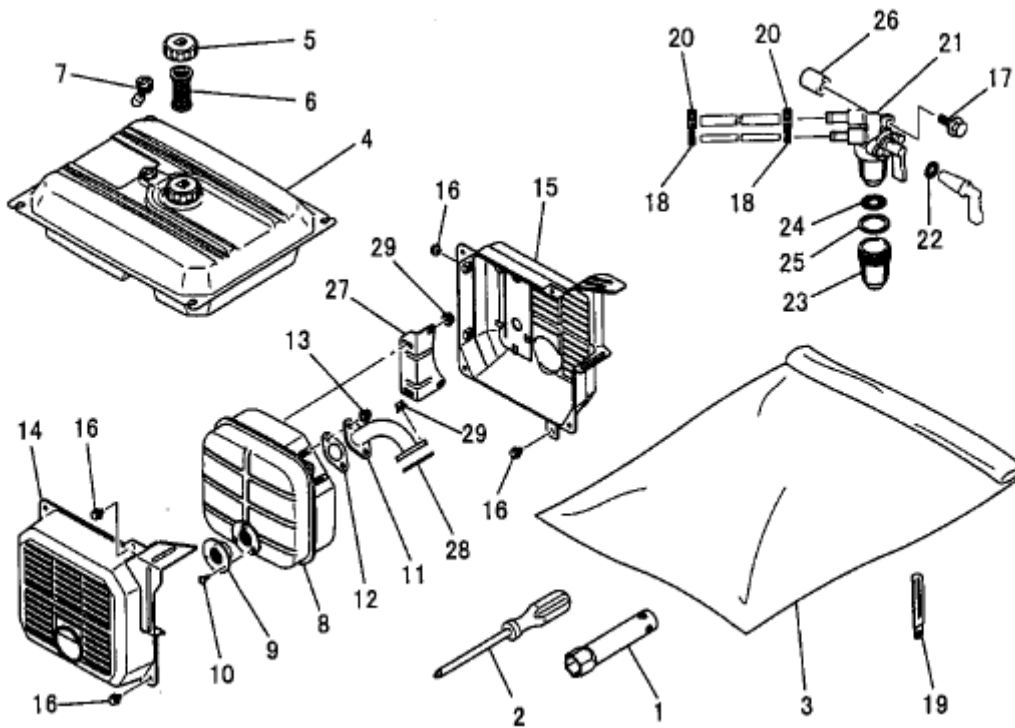
Number	Part Number	Parts Name	Number Required	Remarks
1	KE90101BA	Wire, Lead	1	
2	KE41005AA	Plug, Spark	1	BPR5ES

3. LABEL, FUEL HOSE



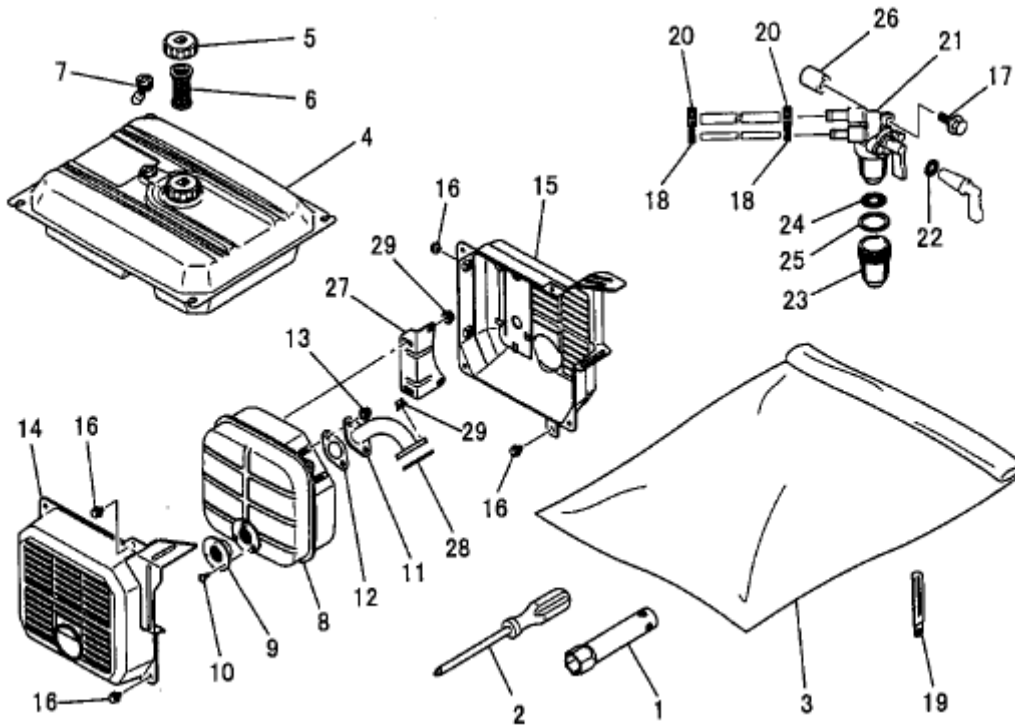
Number	Part Number	Parts Name	Number Required	Remarks
1	KW56198EA	Label	1	
2	KW52185AA	Label, Name	1	
3	P051Y06X220	Hose, Fuel	1	
4	P051Y08X490	Hose, Fuel	1	

4. TOOL SET ETC.



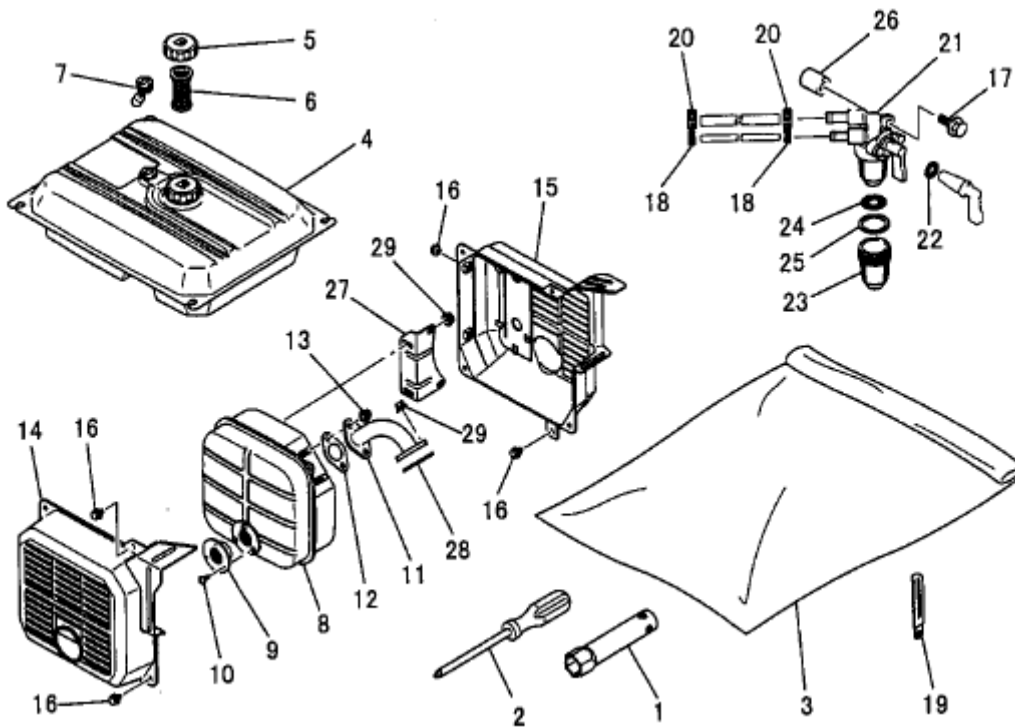
Number	Part Number	Parts Name	Number Required	Remarks
1	KN12004CA	Spanner, Box	1	
2	KN13001AA	Driver, Screw	1	
3	FA21533D	Bag, Tool	1	
4	KF04093AA	Fuel Tank Assy.	1	Incl. No. 5-7
5	KF05010CA	Tank Cap Assy.	1	
6	KF40003AA	Filter, Fuel	1	
7	KF90080DA	Gauge, Oil	1	
8	KM17024AA	Muffler	1	Incl. No. 9, 10
9	KM17024AA015	Screw	1	
10	W006D04X008K	Screw	3	
11	KM30007AA	Pipe, Exhaust	1	
12	KM70032AB	Gasket, Muffler	1	

4. TOOL SET ETC.



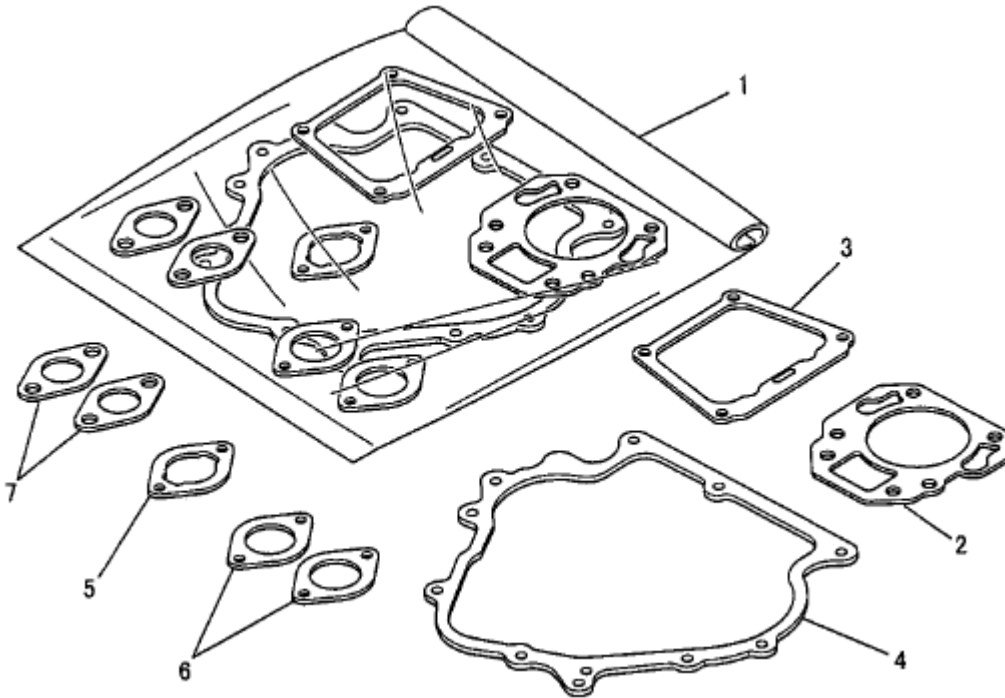
Number	Part Number	Parts Name	Number Required	Remarks
13	ZZ70028C	Nut, Conical Spg	2	
14	KM27043AA	Cover, Muffler	1	
15	KM27044BA	Cover, Muffler	1	
16	B800A06X008K	Bolt, Flange	7	
17	B800A06X025	Bolt, Flange	1	
18	FR53226A	Clip	2	
19	FR64917A	Clamp	2	
20	FR67419	Clip	1	
21	KF31018BA	Cock, Fuel	1	Incl. No. 22-25
22	KF31010AA001	O-Ring	1	
23	KF31010AA002	Cup	1	
24	KF31018AA003	Filter, Fuel	1	

4. TOOL SET ETC.



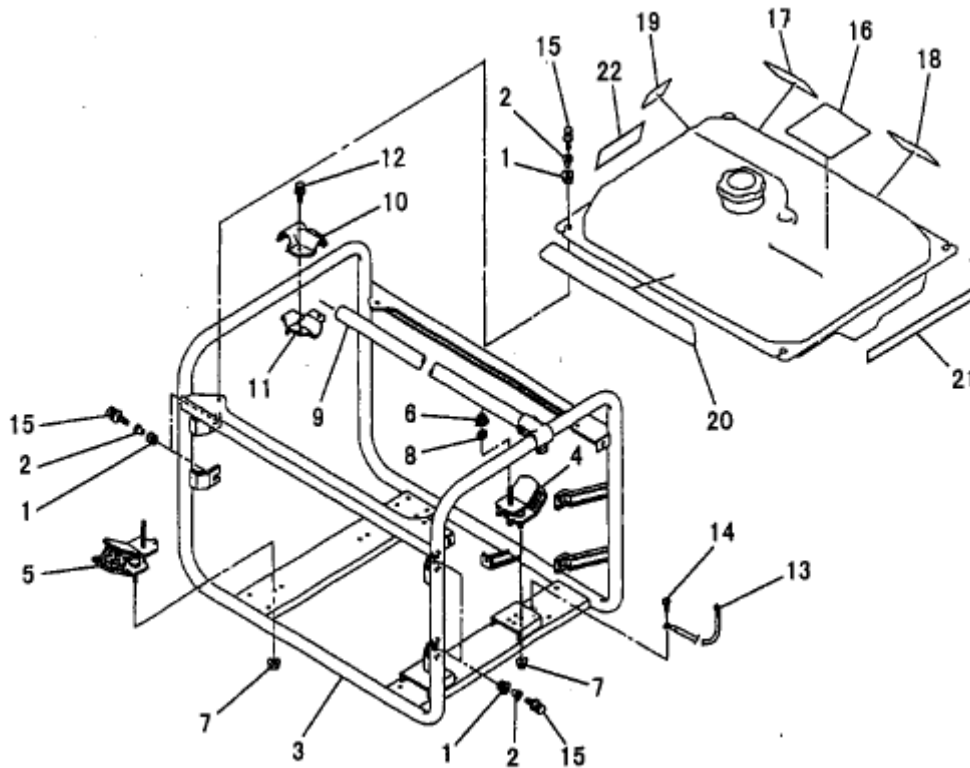
Number	Part Number	Parts Name	Number Required	Remarks
25	KF31010AA004	Packing	1	
26	KF90105AA	Spacer	1	
27	KM60015AA	Bracket, Muffler	1	
28	KM70032AB	Gasket, Muffler	1	
29	ZZ70028C	Nut, Conical Spg	4	

5. GASKET SET



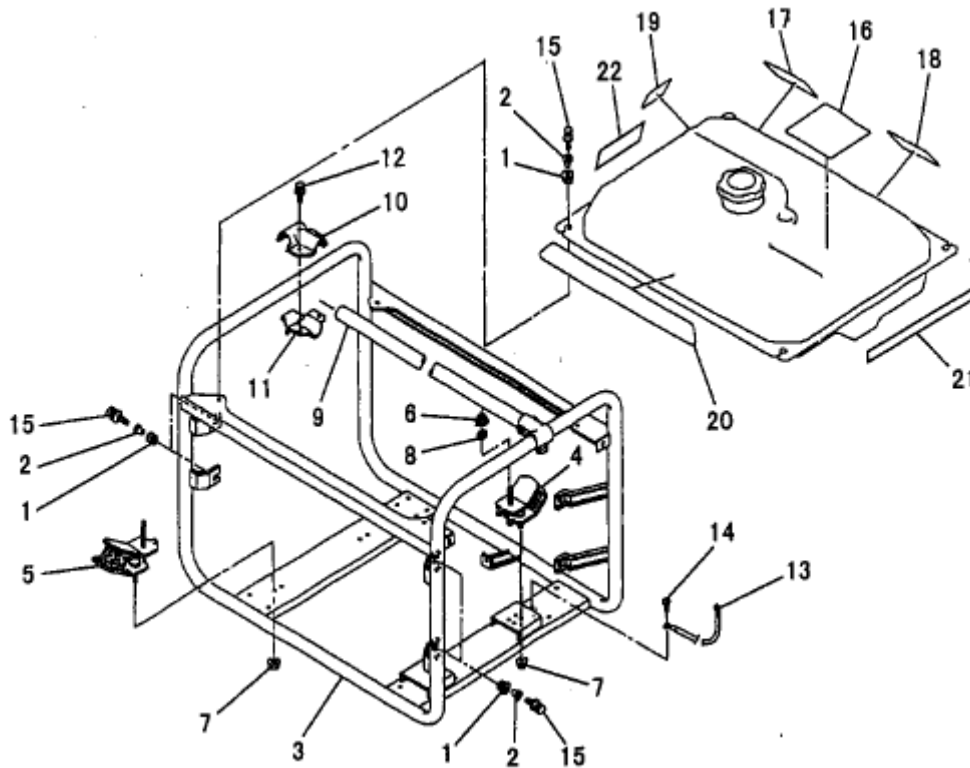
Number	Part Number	Parts Name	Number Required	Remarks
1	KW39068YA	Gasket Set	1	Incl. No. 2-7
2	KC68001AA	Gasket, Head	1	
3	KW33003AA	Gasket, Head Cover	1	
4	KW31010AA	Gasket, Crank Case	1	
5	KW34055AA	Gasket, Carburetor	1	
6	KW34052AA	Gasket, Carburetor	2	
7	KM70032AB	Gasket, Muffler	2	

6. FRAME AND TANK



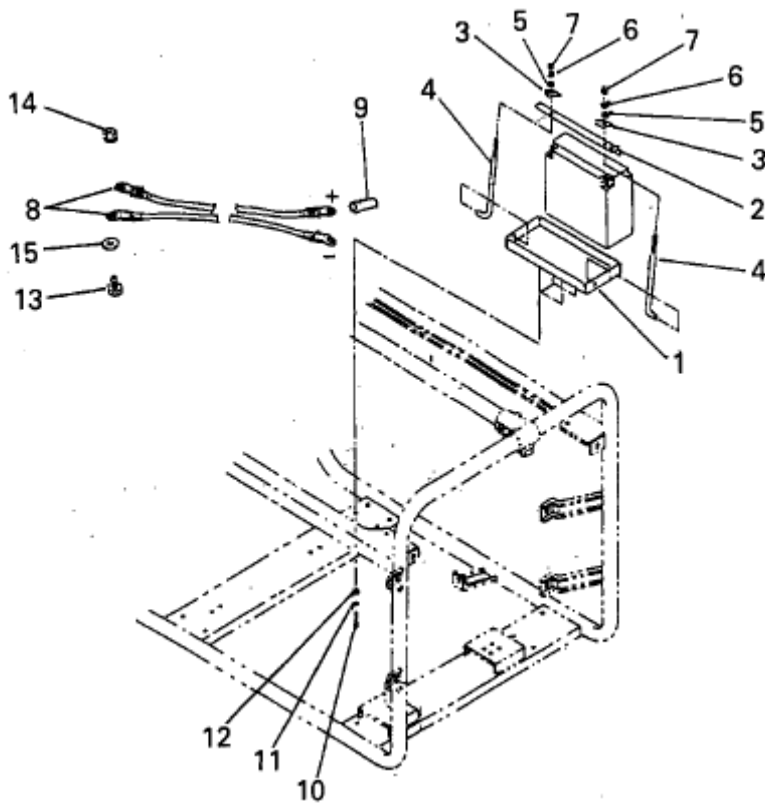
Number	Part Number	Parts Name	Number Required	Remarks
1	KU50018AA	Bush	8	
2	KU50019AA	Spacer	8	
3	KYF011003584	MG Pipe Frame UN	1	
4	KYG060000842	MG Rubber Mount UN	2	
5	KYG060000871	MG Rubber Mount UN	2	
6	KY0022010000	Nut, Flange	4	
7	KY0022008000	Nut, Flange	4	
8	KY0030010000	Washer	1	
9	KYF272000011	MG Frame, Pipe	2	
10	KYF052000020	Clamp	4	
11	KYF052000030	Clamp	4	
12	KY0013006020	MG Bolt	8	

6. FRAME AND TANK



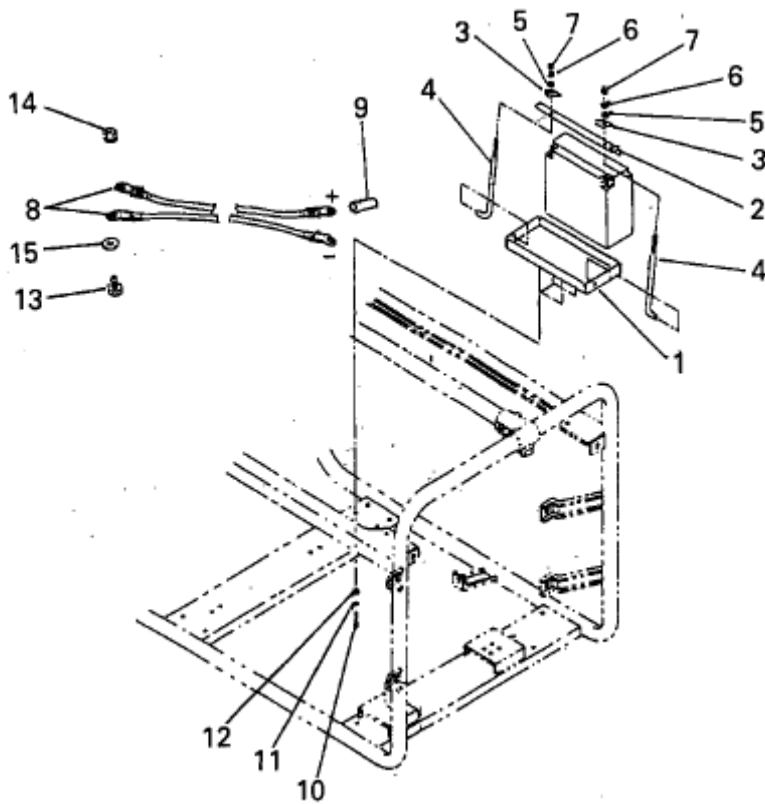
Number	Part Number	Parts Name	Number Required	Remarks
13	KYF070000410	MG Earth Wire	1	
14	KY0011305008	Screw and Washer	1	
15	KY0012906020	MG Bolt, Flange	8	
16	KYT020001740	Label, Caution	1	
17	KYT0200001830	Label	1	
18	KYT0200001840	Label	1	
19	KYC081000450	Label	1	
20	KYC011400860	Label	1	
21	KYB12M330730	MG Label, Spec	1	
22	KYT020002230	Label	1	

6-3. BATTERY KIT



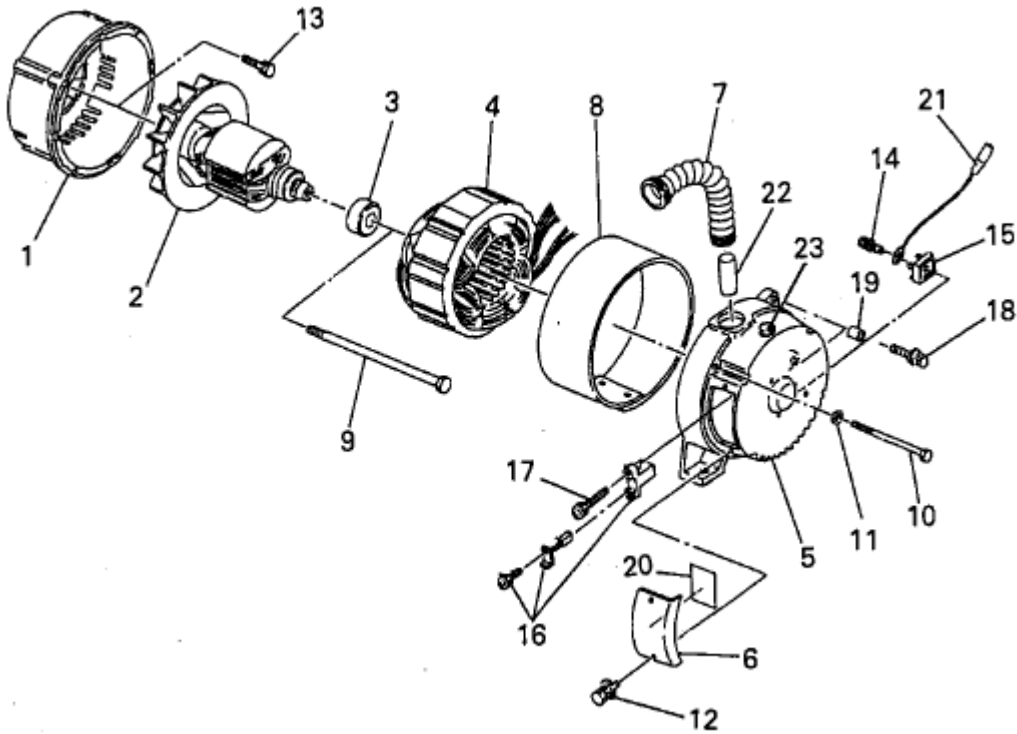
Number	Part Number	Parts Name	Number Required	Remarks
1	KYF080000270	MG Bracket	1	
2	KYF090000100	Retainer	1	
3	KYF091000031	MG Spacer	2	
4	KYF100000011	MG Bolt	2	
5	KY0030006000	Washer	2	
6	KY0030306000	Washer, Spg	2	
7	KY0020006000	MG Nut	2	
8	KYB040000470	MG Cord, Battery	1	Incl. No. 9
9	KY0690000010	MG Cap	1	
10	KY0010508015	MG Bolt	4	
11	KY0030308000	Washer, Spg	4	
12	KY0030008000	Washer	4	

6-3. BATTERY KIT



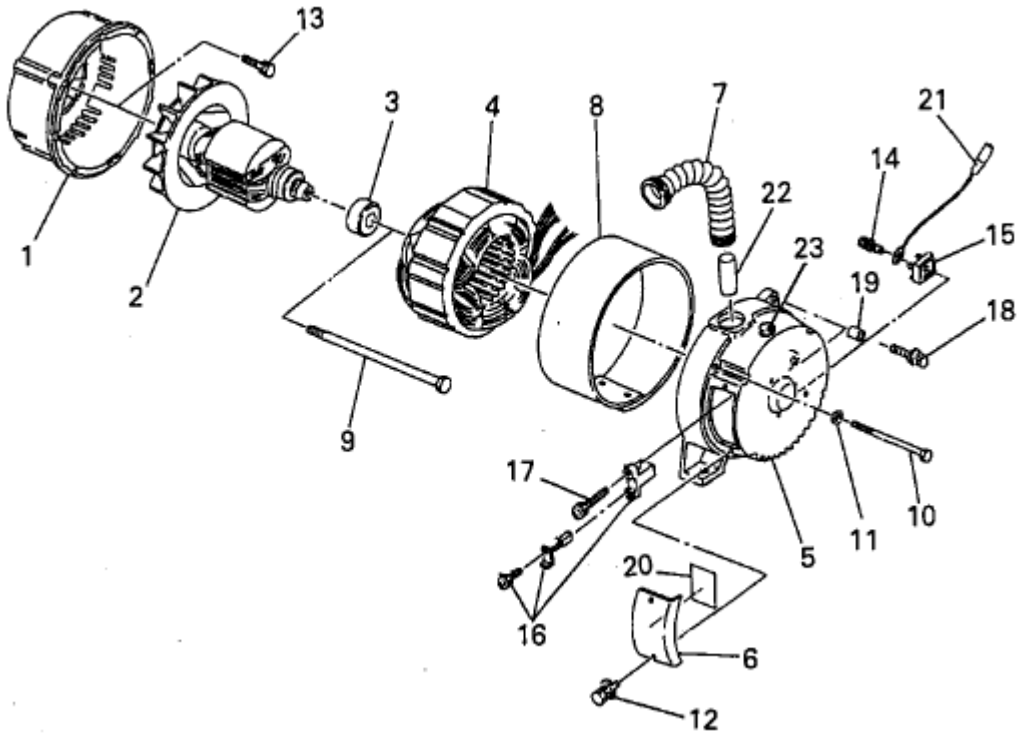
Number	Part Number	Parts Name	Number Required	Remarks
13	KY0010508030	Bolt	1	
14	KY0022008000	Nut, Flange	1	
15	KY0030008000	Washer	1	

7. GENERATOR



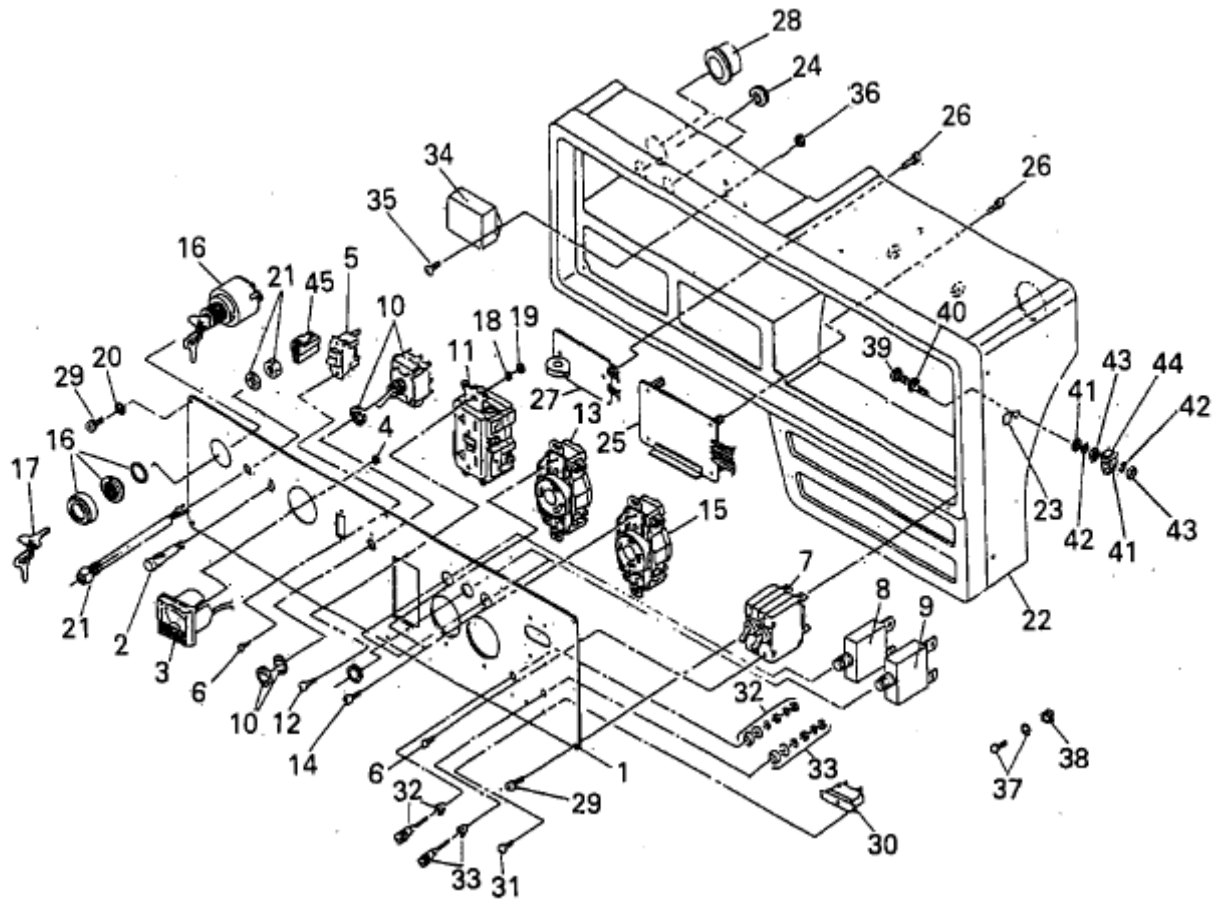
Number	Part Number	Parts Name	Number Required	Remarks
1	KYG010000551	MG Bracket, Front	1	
2	KYG020002122	MG Rotor	1	
3	KY0006205DDU	Bearing, Ball	1	
4	KYG040008712	MG Stator CP	1	
5	KYG080001231	MG Rear Cover	1	
6	KYG110000020	MG Brush Cover	1	
7	KYG070000270	MG Bushing	1	
8	KYG120001331	Cover	1	
9	KY0013510250	Bolt	1	
10	KY0013508160	Bolt	4	
11	KY0030308000	Washer, SPG	4	
12	KY0013705012	Bolt and Washer	2	

7. GENERATOR



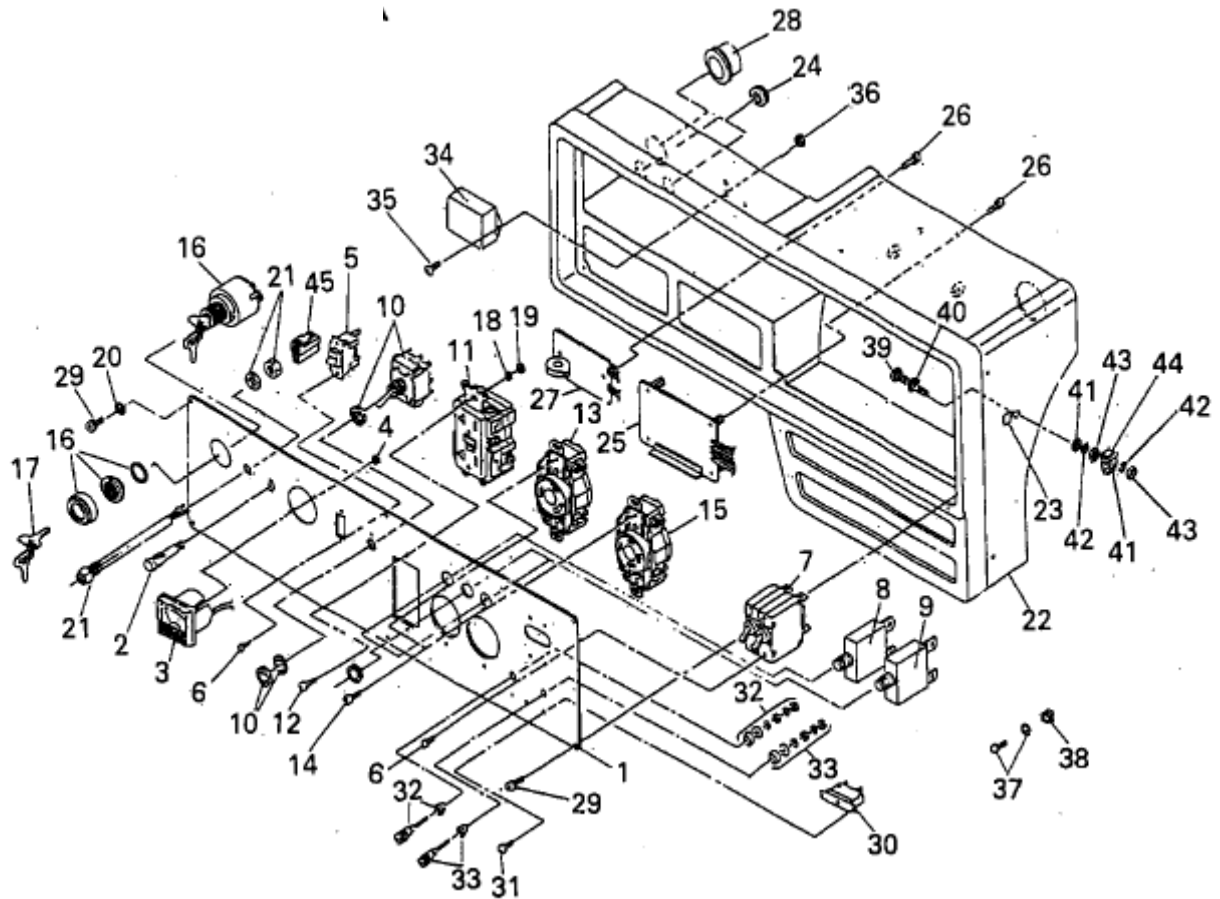
Number	Part Number	Parts Name	Number Required	Remarks
13	KY0013708020	MG Bolt	4	
14	KY0012004018	Screw and Washer	1	
15	KY015S15VB20	MG Diode Stack	1	
16	KYG100000031	MG Brush Holder	1	
17	KY0011205020	MG Screw	2	
18	KY0013708040	MG Bolt	2	
19	KYG150000460	MG Spacer	2	
20	KYC011900290	MG Label	1	
21	KYF070000400	MG Earth Wire	1	
22	KY053007722B	MG Tube	1	
23	KYC180000140	MG Grommet	1	

8. CONTROL BOX



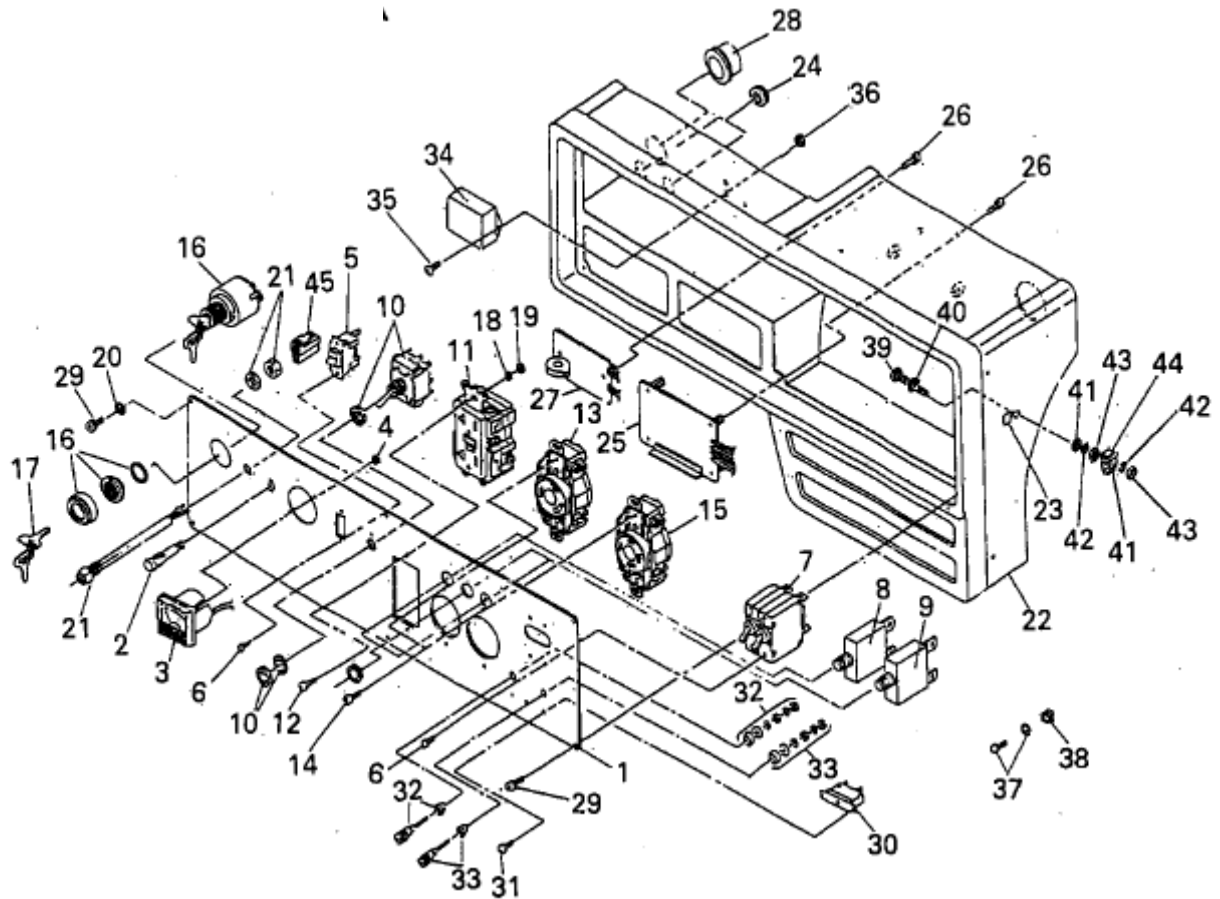
Number	Part Number	Parts Name	Number Required	Remarks
1	KYC011018260	MG Print, Panel	1	
2	KY01403120R0	MG Lamp	1	
3	KY00412120A1	MG V Meter	1	
4	KY0021903000	Nut	2	
5	KY0130739010	Switch	1	
6	KY0013303005	MG Screw	6	
7	KY0081134022	MG Breaker	1	
8	KY16068BA	MG Protector	1	
9	KY16068CA	MG Protector	2	
10	KY0130530030	MG Switch	1	
11	KY0067203120	MG Receptacle	1	
12	KY0013304010	Screw and Washer	2	

8. CONTROL BOX



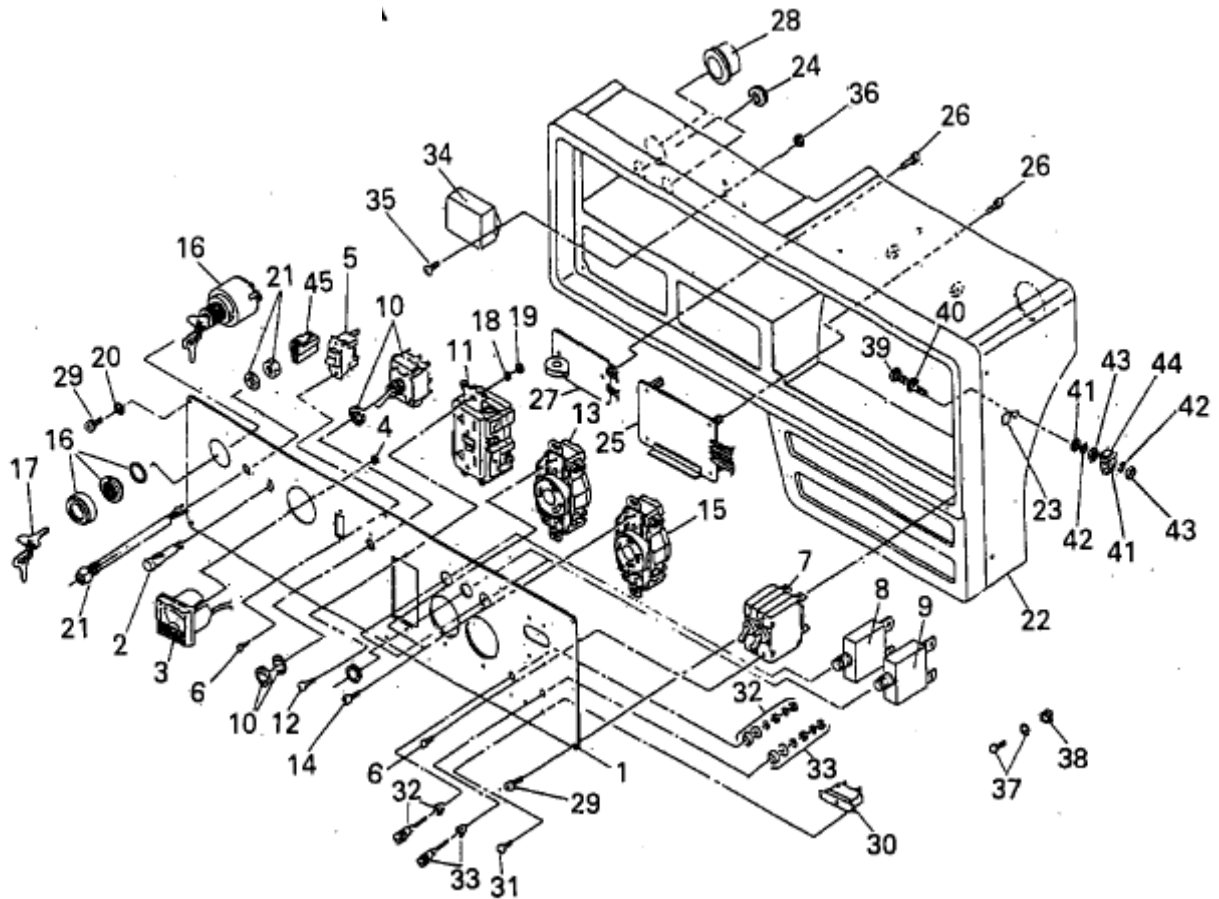
Number	Part Number	Parts Name	Number Required	Remarks
13	KY0065605130	MG Receptacle	1	
14	KY0015130510	Screw	4	
15	KY0065906330	MG Receptacle	1	
16	KE80023AA	Switch	1	Incl. No. 17
17	KE80023AA001	Key	1	
18	KY0030004000	MG Washer	2	
19	KY0020004000	MG Nut	2	
20	KY0031104000	MG Washer	2	
21	KY035000303R	MG LED CP	1	
22	KY90074BA	Panel, Control	1	
23	KW56170BA	Label	1	
24	KY0321140908	MG Grommet	2	

8. CONTROL BOX



Number	Part Number	Parts Name	Number Required	Remarks
25	KYC031002332	MG AVR Un	1	
26	KY0011204006	Screw and Washer	6	
27	KYC150000231	MG Idle Control Un	1	
28	KYG070000120	MG Bushing	1	
29	KY0013304010	Screw and Washer	6	
30	KY0080052010	MG Circuit Protector	1	
31	KY0013303005	MG Screw	2	
32	KY009211202B	Terminal Assy.	1	
33	KY009211202R	Terminal Assy.	1	
34	KE60009AA	Regulator	1	
35	KY0013705015	MG Bolt	2	
36	KY0020005000	MG Nut	2	

8. CONTROL BOX



Number	Part Number	Parts Name	Number Required	Remarks
37	KY0015805010	MG Bolt	2	
38	KY0021905000	MG Nut	2	
39	KY0010205025	MG Screw	1	
40	KY0030705000	MG Washer, Toothed	1	
41	KY0030105000	MG Washer	2	
42	KY0030405000	Washer, Spg	2	
43	KY0021905000	MG Nut	2	
44	KU33008AA	Washer	1	
45	KY01001020F0	MG Coupler	1	